

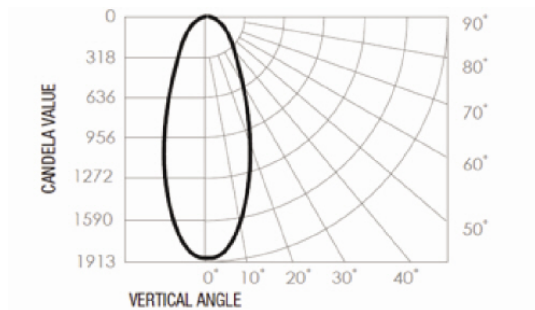
# D900 Curve LED downlight Datasheet



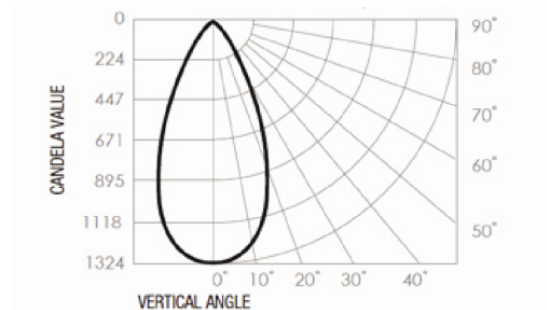
## Product codes

Unit:	Family:	Colour temp. (K):	Beam angle (°):	Colour:
D900	CR	3K 4K	45 55	S (Silver) W (White)

## Photometrics



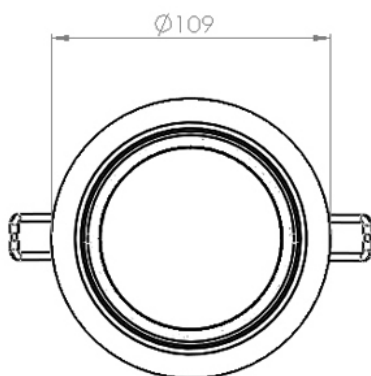
Lumen output: 1005lm  
Colour temp.: 3000K  
Efficacy: 64lm/W  
Beam angle: 45°



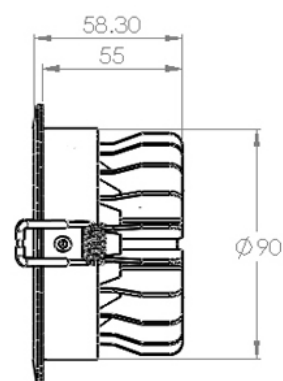
Lumen output: 1015lm  
Colour temp.: 3000K  
Efficacy: 65lm/W  
Beam angle: 55°

## Dimensions (mm)

Front view



Side view



## Electrical

<b>Input voltage:</b> 220-240V	<b>Power usage:</b> 15.7W	<b>Driver power factor:</b> 0.88	<b>IP rating:</b> IP44	<b>Surge protection:</b> 3100
<b>Cable length:</b> 1.5m	<b>Dimmable:</b> Yes	<b>Driver:</b> BG-018BSD		

## Operational

<b>Operating temp.:</b> -30 to 81°C	<b>Average temp.:</b> 56°C	<b>Ambient temp.:</b> -28 to 70°C	<b>Lifetime:</b> 70000 hrs (@TA25)	<b>Thermal rating:</b> IC
--	-------------------------------	--------------------------------------	---------------------------------------	------------------------------

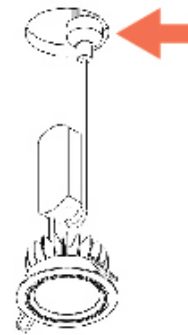
## Physical

<b>Weight:</b> 472g	<b>Gimbal angle:</b> ±15°	<b>Warranty:</b> 7 years
------------------------	------------------------------	-----------------------------

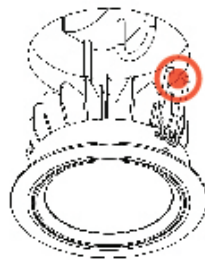
## Installation



**Step 1**  
Using a 92mm holesaw, cut a hole in the ceiling at the desired location



**Step 2**  
Plug the driver to a mains power socket located in the ceiling cavity



**Step 3**  
Pull back the springs and insert the luminaire in the hole



**Step 4**  
Installation complete