

D550.SHX Curve LED downlight Datasheet

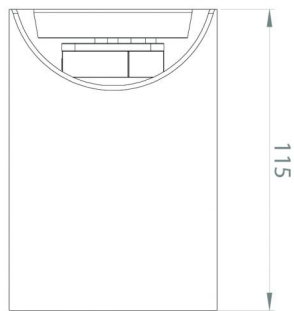


Product codes

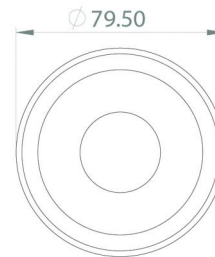
Unit: D550.SHX	Family: CR	Colour temp. (K): 3K 4K	Beam angle (°): 36	Colour: B (Black) W (White)
--------------------------	----------------------	--------------------------------------	------------------------------	--

Dimensions (mm)

Front view



Side view



Electrical

Colour temperature: 3000K or 4000K	Input voltage: 220-240V	Power usage: 8.5W	Driver power factor: 0.77	IP rating: IP40
Surge protection: 3100	Cable length: N/Am	Dimmable: Yes	Driver: BG-DRV:A-550/8	

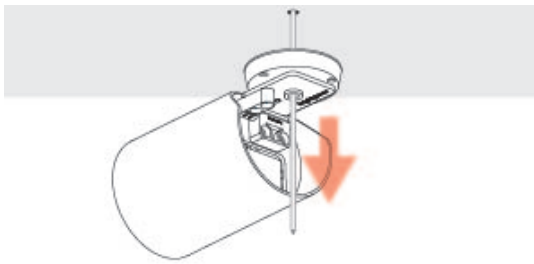
Operational

Lumen output: 550lm or 560lm	Beam angle: 36°	Light quality (CRI): 93CRI	Operating temp.: -30 to 70°C	Average temp.: 64°C
Ambient temp.: -28 to 65°C	Lifetime: 70000 hrs (@TA25)			

Physical

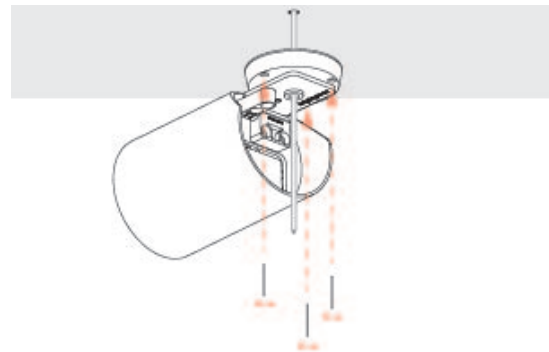
Fascia colour: White or Black	Weight: 380g	Gimbal angle: 90°/355°	Warranty: 7 years
---	------------------------	----------------------------------	-----------------------------

Installation



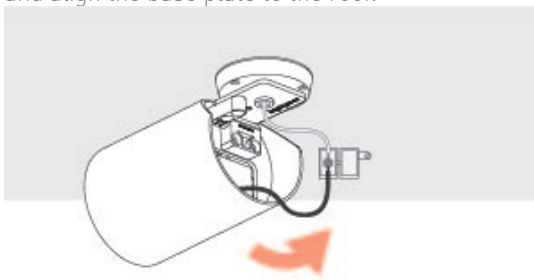
Step 1

Thread the power cable through the base plate and align the base plate to the roof.



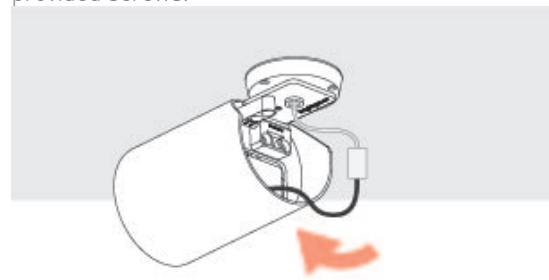
Step 2

Fasten the base plate to the roof using the provided screws.



Step 3

Remove the junction box from the back cavity of the D550.SHX.
Open the junction box and connect the power cable to the junction box.
Re-attach cover of junction box inline with Australian standards



Step 4

Slot the junction box back into the D550.SHX cavity.