

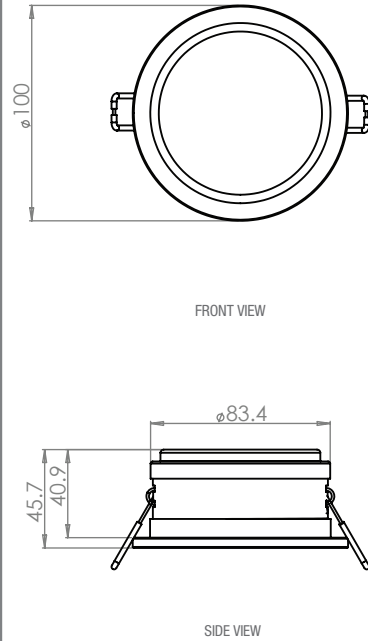
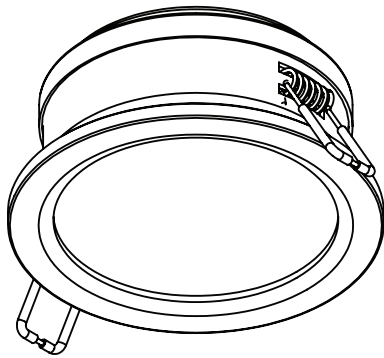


Lumens 800 lm  
 Power Usage 12.6 W  
 CRI 93 CRI TRU COLOUR

**loomi**  
 Looking good!

PRODUCT IMAGE

DIMENSION



| PRODUCT CODE | Unit | Col. Temp | Beam Ang. | Colour   |
|--------------|------|-----------|-----------|----------|
| 12C          |      | 3K        | 90        | W(white) |

SPECIFICATIONS

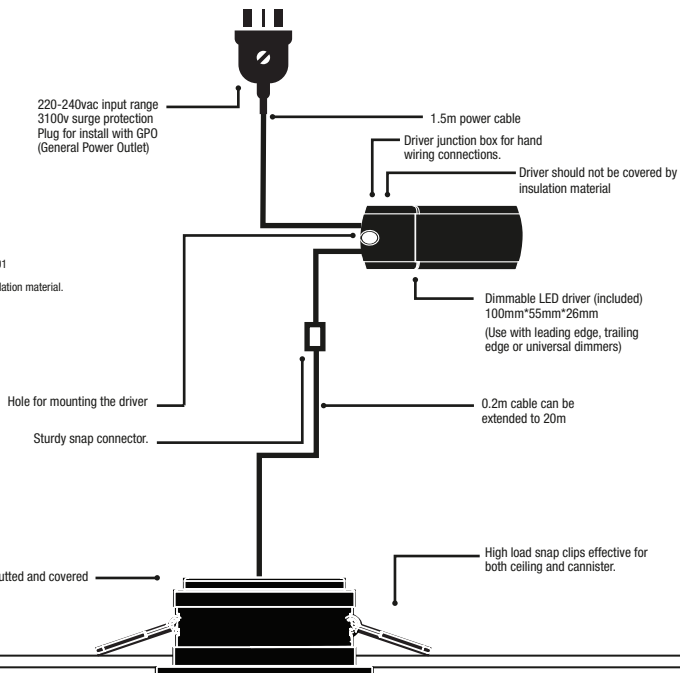
| Physical          |                            |
|-------------------|----------------------------|
| Fascia Colour     | White (RAL 9010)           |
| Weight            | 335g (Including driver)    |
| Gimble Angle      | -                          |
| Install Clearance | Can be covered and abutted |
| STC Rating        | 42                         |
| IC Rating         | IC                         |
| Safety Class      | IEC 60598 - 1:2008         |
| Material          | Pure aluminium / PMMA      |

| Operational         |                                  |
|---------------------|----------------------------------|
| Colour Temperatures | 3000k                            |
| Beam Angles         | 90°                              |
| Lumens              | 800m                             |
| Efficacy            | 64 lm/W                          |
| Light Quality       | CRI 93 <small>TRU COLOUR</small> |
| Operating Temp.     | -30°C to 81°C                    |
| Average Temp.       | 59°C (@Ta25)                     |
| Ambient Temp.       | -28°C to 70°C                    |
| Lifetime            | 35,000 hrs                       |
| Warranty            | 3-year warranty                  |

INSTALLATION

- REQUIRES 90MM CIRCULAR CUTOUT
- RECOMMENDED MAX. AMBIENT TEMPERATURE 50°C
- INSTALL UNIT FACING DOWNWARDS
- ABUTTED AND COVERED\*

\*12C has been tested for IC following AS/NZS 60598 2.2:2001 procedures. Max Temp: 59.16°C  
 Driver must not be covered by insulation material.



| Electrical          |                           |
|---------------------|---------------------------|
| Input Voltage       | 220-240V                  |
| Power Usage         | 12.6W                     |
| Driver Power Factor | >0.85                     |
| IP Rating           | IP44                      |
| Surge Protection    | 3100V                     |
| Cable Length        | 1.5 m (+ 0.2 from driver) |
| Dimming Range       | 10-100% (Universal Triac) |
| Driver Number       | BG-DRV:C-900/20           |

Photometrics

