

W200.SX.CR LED wall light

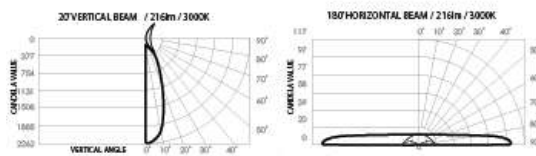
Datasheet



Product codes

Unit: W200.SX	Series: CR	Colour temp. (K): 3K	Beam angle (°): 180.20	Colour: S (Silver) W (White)
-------------------------	----------------------	--------------------------------	----------------------------------	---

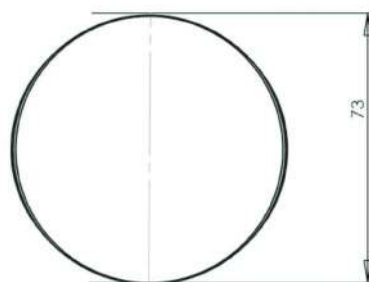
Photometrics



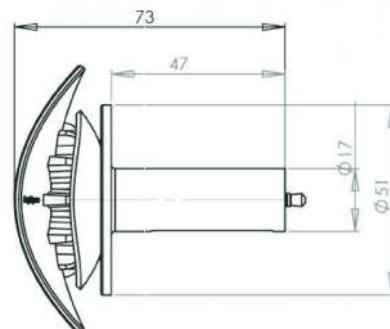
Source lumen output: 360lm
Delivered lumen output: 200lm
Efficacy: 33lm/W
Colour temp.: 3000K
Beam angle: 180/20°

Dimensions (mm)

Front view



Side view



Electrical

Input voltage: 36V	Power usage: 6	Driver power factor: >0.9	IP rating: IP22	Surge protection: 3100V
Cable length: 1.5m	Dimmable: No			

Operational

Operating temp.: -30 to 81°C	Average temp.: 56°C	Ambient temp.: -28 to 70°C	Lifetime: 40,000 hrs (@TA25)	Source Lumens: 360lm
--	-------------------------------	--------------------------------------	--	--------------------------------

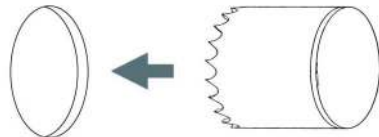
Physical

Gimbal angle: 30° Universal	Warranty: 7 years
---------------------------------------	-----------------------------

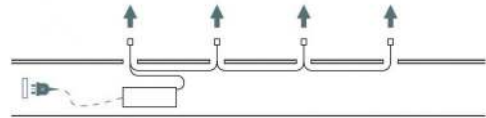
Compatibility

Recommended Dimmers:
BG-030ND - 30W compact, non-dimmable driver available. Compatible with 1-2 W900.SX and/or 1-4 W200.SX

Installation

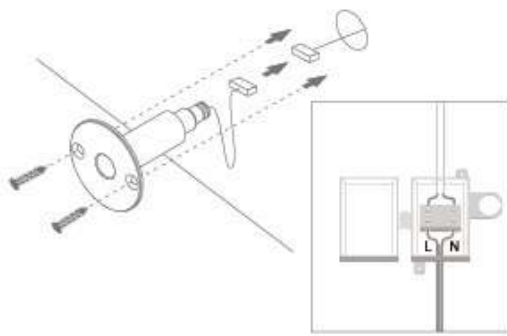


Step 1
Using a 25mm hole saw cut out a cavity in the wall for the desired luminaire location



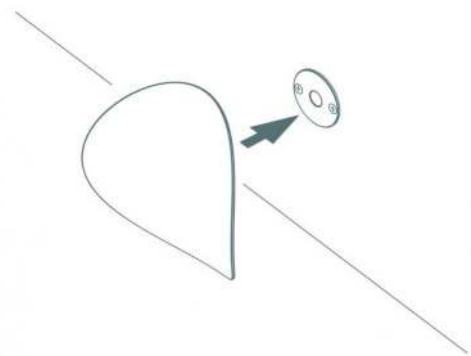
Step 2
Remote mount and connect the driver to the mains power cable in line with Australian standards. Wire the low voltage luminaire cable to the driver and then the cable through the hole cutouts. (Max. recommended cable distance between the driver and each luminaire is 15m).

Installation



Step 3

Connect the flying lead from the W200 SX Curve base to the low voltage luminaire cable. Ensure live and null wires are positioned correctly in low voltage terminal block. Insert base into hole cavity and fix using the provided wall screws.



Step 4

Insert W200 SX Curve luminaire into its base so that the power jack clicks into the socket.