

# T900.H Linear LED track light

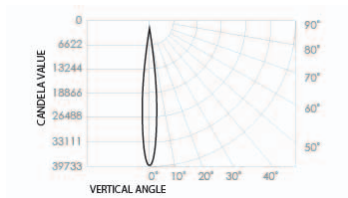
## Datasheet



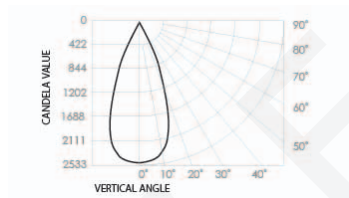
### Product codes

Unit:	Series:	Base type:	Colour temp. (K):	Beam angle (°):	Colour:
T900.H	LN	E3 H1	3K 4K	10 40	B (Black) W (White)

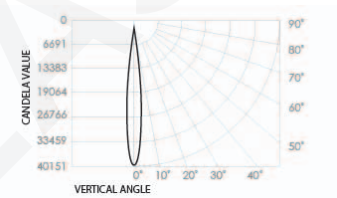
### Photometrics



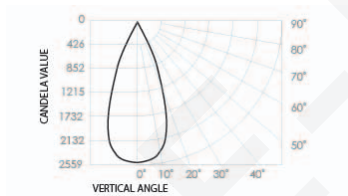
Source lumen output: 1255lm  
 Delivered lumen output: 950lm  
 Efficacy: 59lm/W  
 Colour temp.: 3000K  
 Beam angle: 10°



Source lumen output: 1255lm  
 Delivered lumen output: 960lm  
 Efficacy: 60lm/W  
 Colour temp.: 3000K  
 Beam angle: 40°



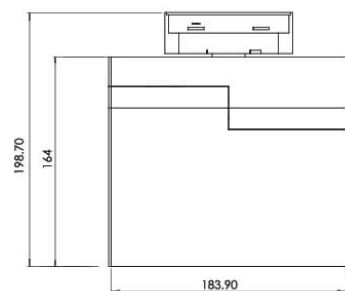
Source lumen output: 1280lm  
 Delivered lumen output: 960lm  
 Efficacy: 60lm/W  
 Colour temp.: 4000K  
 Beam angle: 10°



Source lumen output: 1280lm  
 Delivered lumen output: 970lm  
 Efficacy: 61lm/W  
 Colour temp.: 4000K  
 Beam angle: 40°

### Dimensions (mm)

Front view



Side view



## Electrical

<b>Input voltage:</b> 220-240V	<b>Power usage:</b> 16	<b>Driver power factor:</b> >0.9	<b>IP rating:</b> IP44	<b>Surge protection:</b> 3100V
<b>Dimmable:</b> Yes				

## Operational

<b>Operating temp.:</b> -30 to 85°C	<b>Average temp.:</b> 60°C	<b>Ambient temp.:</b> -28 to 50°C	<b>Lifetime:</b> 50,000 hrs (@TA25)	<b>Source Lumens:</b> 1255lm or 1280lm
--	-------------------------------	--------------------------------------	--	---

## Physical

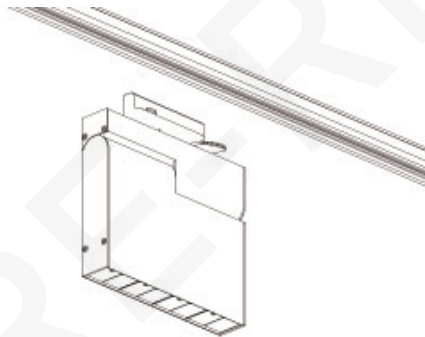
<b>Gimbal angle:</b> 90°/360°	<b>Warranty:</b> 7 years	<b>Type:</b> H-Track or Eurotrack
----------------------------------	-----------------------------	--------------------------------------

## Compatibility

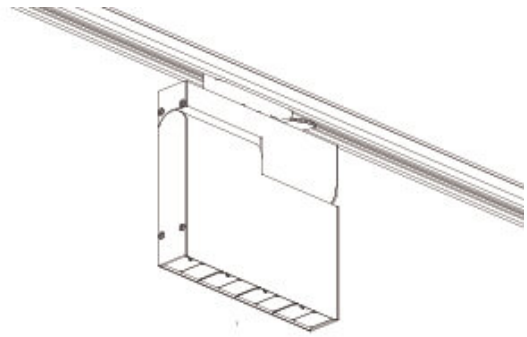
**Recommended Dimmers:**  
"Compatible with leading home automation systems and dimmers.  
Recommended Dimmers:  
Universal, Trailing Edge, Leading Edge.

\*For more details please refer to:  
<https://brightgreen.com/digital-driver>  
All systems are unique, please  
call 1300 672 499 for advice on your installation."

## Installation



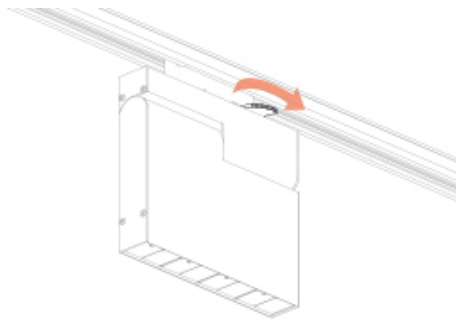
**Step 1**  
Align the track connector with the track.



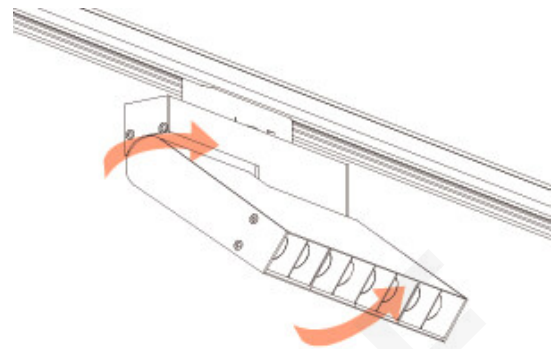
**Step 2**  
Insert the T900.H into the track channel, ensuring the track base tabs are in the open position and that the direction of the T900.H is correct. This is dependant on where the contact points are in the track.

## Installation

---



**Step 3**  
Push the locking tabs into the track base to secure the fitting



**Step 4**  
Once the light is locked into the track, orient the luminaire to focus the light as required.

PRE-RELEASE