

# D700+ LED downlight

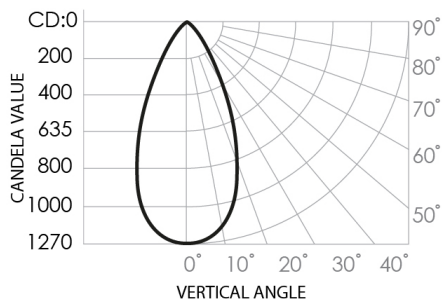
## Datasheet



### Product codes

Unit:	Series:	Colour temp. (K):	Beam angle (°):	Colour:
D700+	CR	1.8K.3.1K 3K 4K	55	B (Black) W (White)

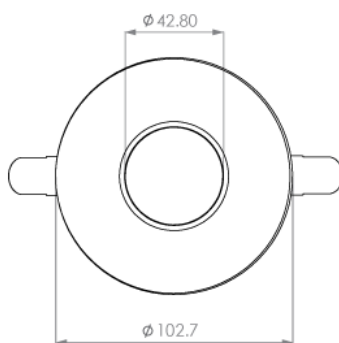
### Photometrics



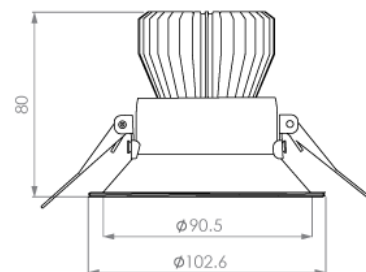
Source lumen output: 979lm  
 Delivered lumen output: 780lm  
 Efficacy: 74lm/W  
 Colour temp.: 3000K  
 Beam angle: 55°

### Dimensions (mm)

Front view



Side view



## Electrical

<b>Input voltage:</b> 220-240V	<b>Power usage:</b> 10.6	<b>Driver power factor:</b> 0.9	<b>IP rating:</b> IP44	<b>Surge protection:</b> Yes
<b>Cable length:</b> 1.2m	<b>Dimmable:</b> Yes	<b>Driver:</b> BG-DRV:A-700/10		

## Operational

<b>Average temp.:</b> 65°C	<b>Ambient temp.:</b> -28 to 60°C	<b>Lifetime:</b> 70,000 hrs (@TA25)	<b>Thermal rating:</b> IC	<b>Source Lumens:</b> 979lm or 999lm or 1520lm
-------------------------------	--------------------------------------	--	------------------------------	---

## Physical

<b>Weight:</b> 490g	<b>Gimbal angle:</b> 22° Universal	<b>Warranty:</b> 7 years
------------------------	---------------------------------------	-----------------------------

## Compatibility

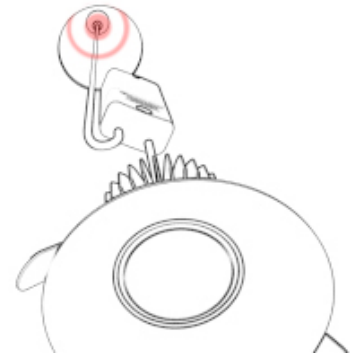
**Recommended Dimmers:**  
Compatible with leading home automation systems and dimmers.  
Recommended Dimmers:  
Universal, Trailing Edge, Leading Edge.  
Dali option available on request.

\*For more details please refer to:  
<https://brightgreen.com/digital-driver>  
All systems are unique, please  
call 1300 672 499 for advice on your installation.

## Installation



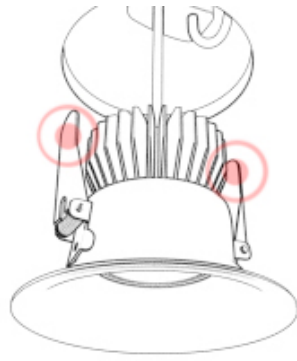
**Step 1**  
Using a 92mm hole saw, cut a hole in the ceiling at the desired location.



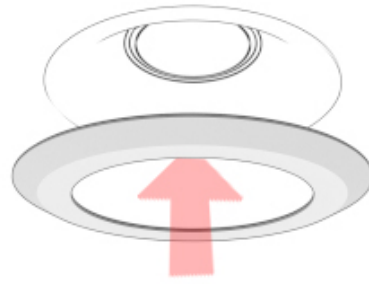
**Step 2**  
Plug the driver into a mounted general power outlet (GPO) in the ceiling. This luminaire can be covered and abutted with insulation.

## Installation

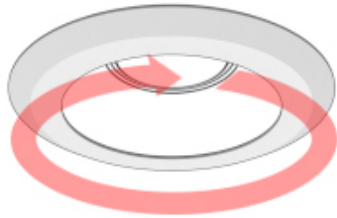
---



**Step 3**  
Pull back the springs and insert the luminaire into the ceiling cavity.



**Step 4**  
For installation with a fascia, align the luminaire with the fascia and screw clockwise until firmly in place.



**Step 5**  
Thread the fascia clockwise until firmly in place.  
Installation complete.