

D550.SHX Curve LED downlight Datasheet

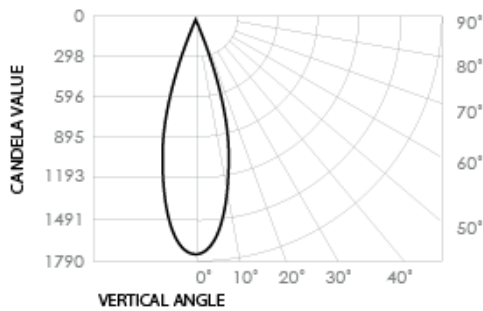


Product codes

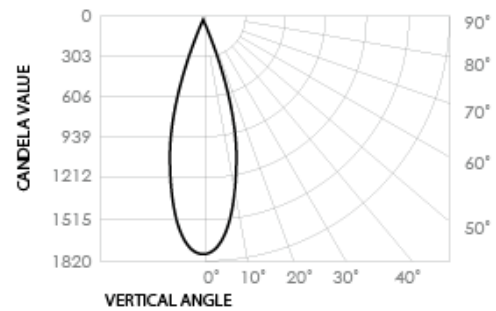
Unit:	Series:	Colour temp.:	Beam angle (°):	Colour:
D550.SHX	CR	2.7K 3K 4K 5K	36	B (Black) W (White)

Photometrics

Standard Products

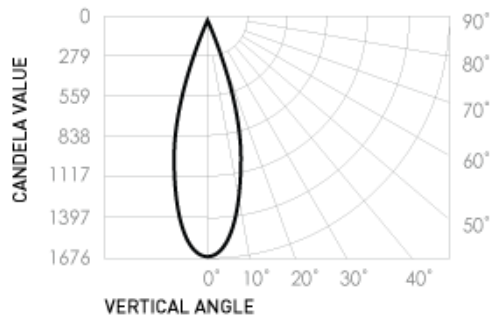


Source lumen output: 670lm
Delivered lumen: 550lm
Efficacy: 65lm/W
Colour temp.: 3000K
Beam angle: 36°
CRI: 97
Standard Deviation of colour matching (SDCM): 2MacAdams Steps

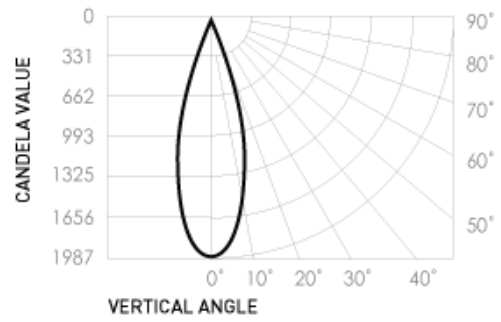


Source lumen output: 685lm
Delivered lumen: 560lm
Efficacy: 66lm/W
Colour temp.: 4000K
Beam angle: 36°
CRI: 97
Standard Deviation of colour matching (SDCM): 2MacAdams Steps

Special Order Products



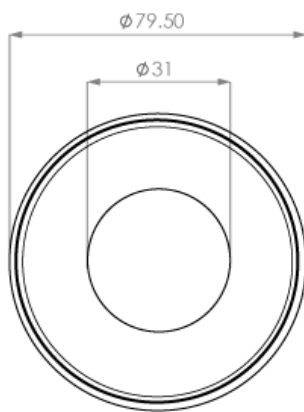
Source lumen output: 630lm
 Delivered lumen: 515lm
 Efficacy: 61lm/W
 Colour temp.: 2700K (Special Order)
 Beam angle: 36°
 CRI: 97
 Standard Deviation of colour matching (SDCM): 2MacAdams Steps



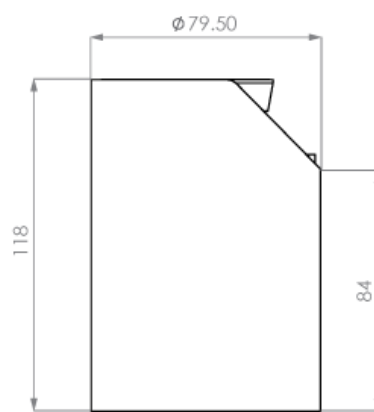
Source lumen output: 745lm
 Delivered lumen: 610lm
 Efficacy: 72lm/W
 Colour temp.: 5000K (Special Order)
 Beam angle: 36°
 CRI: 97
 Standard Deviation of colour matching (SDCM): 2MacAdams Steps

Dimensions (mm)

Front view



Side view



Electrical

Input voltage: 220-240V	Power usage: 8.5W	Driver power factor: 0.9	IP rating: IP44	Surge protection: 3100V
AC Cable length: N/Am	Dimmable: Yes	Driver: PHASE (-PHASE) DALI (-DALI) CASAMBI (-CASAMBI) 0-10V (-010V)		

Operational

Operating temp.: -30 to 70°C	Average temp.: 64°C	Ambient temp.: -28 to 65°C	Lifetime L70, B10: 70,000 hrs (@TA25)	Source Lumens: 670lm or 685lm or 630lm or 745lm
SDCM: 2MacAdam Steps				

Physical

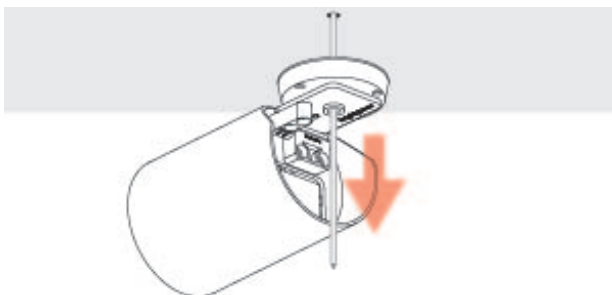
Weight: 380g	Gimbal angle: 90°/360°	Warranty: 7 years	Version: 1.5
------------------------	----------------------------------	-----------------------------	------------------------

Compatibility

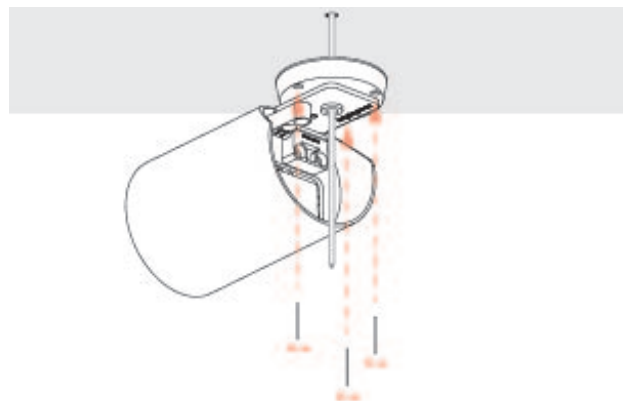
Recommended Dimmers:
"Compatible with leading home automation systems and dimmers.
Recommended Dimmers:
Universal, Trailing Edge, Leading Edge.

*For more details please refer to:
<https://brightgreen.com/digital-driver>
All systems are unique, please
call 1300 672 499 for advice on your installation."

Installation

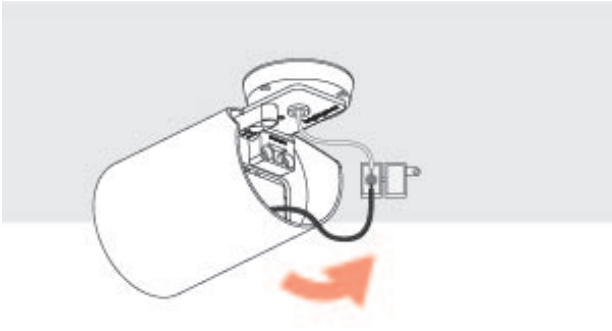


Step 1
Thread the power cable through the base plate and align the base plate to the roof.



Step 2
Fasten the base plate to the roof using the provided screws.

Installation

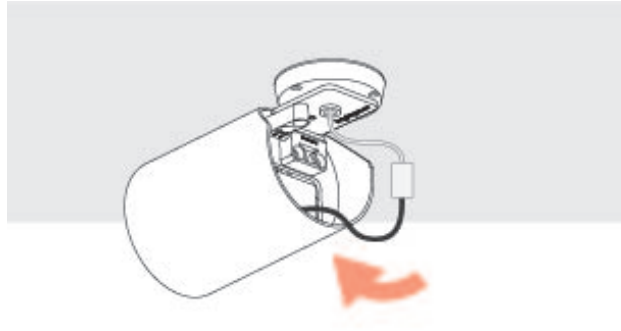


Step 3

Remove the junction box from the back cavity of the D550.SHX.

Open the junction box and connect the power cable to the junction box.

Re-attach cover of junction box inline with Australian standards



Step 4

Slot the junction box back into the D550.SHX cavity.