

W200.SX-CB LED wall light

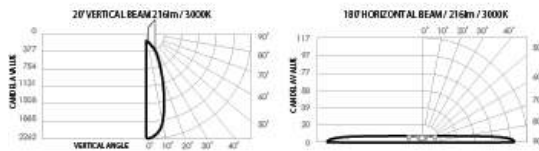
Datasheet



Product codes

Unit: W200.SX	Series: CB	Colour temp. (K): 3K	Beam angle (°): 180.20	Colour: S (Silver) W (White)
-------------------------	----------------------	--------------------------------	----------------------------------	---

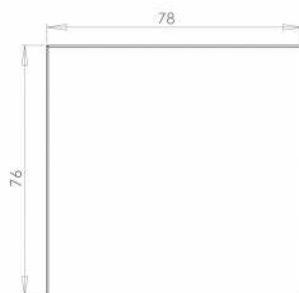
Photometrics



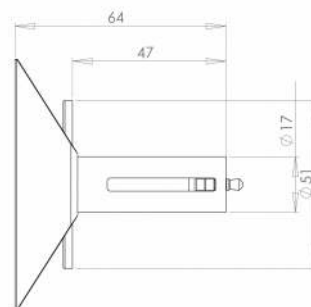
Source lumen output: 360lm
Delivered lumen output: 200lm
Efficacy: 33lm/W
Colour temp.: 3000K
Beam angle: 180/20°

Dimensions (mm)

Front view



Side view



Electrical

Input voltage: 36V	Power usage: 6	Driver power factor: >0.9	IP rating: IP22	Surge protection: 3100V
Cable length: 1.5m	Dimmable: No			

Operational

Operating temp.: -30 to 81°C	Average temp.: 56°C	Ambient temp.: -28 to 70°C	Lifetime: 40,000 hrs (@TA25)	Source Lumens: 360lm
--	-------------------------------	--------------------------------------	--	--------------------------------

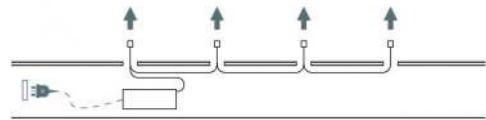
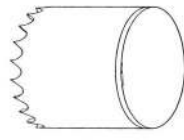
Physical

Gimbal angle: 30° Universal	Warranty: 7 years
---------------------------------------	-----------------------------

Compatibility

Recommended Dimmers:
BG-030ND - 30W compact, non-dimmable driver available. Compatible with 1-2 W900.SX and/or 1-4 W200.SX

Installation



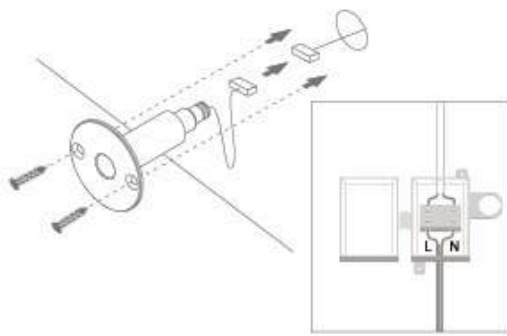
Step 1

Using a 25mm hole saw, cut a hole in the wall at the desired location.

Step 2

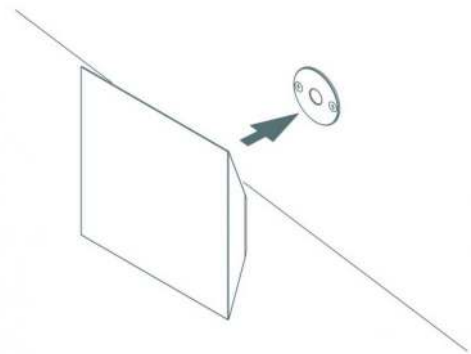
Remote mount and connect the driver to the mains power cable in line with Australian standards. Wire the low voltage luminaire cable to the driver and then the cable through the hole cutouts. (Max. recommended cable distance between the driver and each luminaire is 15m).

Installation



Step 3

Connect the flying lead to the power cable, ensuring live and null wires are positioned correctly in the terminal block and secure base into the wall cavity using the screws provided.



Step 4

Insert the luminaire into the base until the power jack clicks and orient the luminaire using its universal gimbal to focus the light as required.