

T400.H Linear LED track light

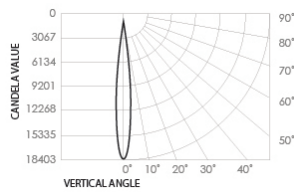
Datasheet



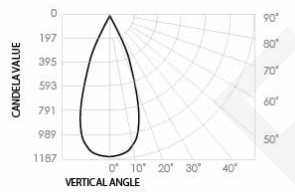
Product codes

Unit:	Series:	Base type:	Colour temp. (K):	Beam angle (°):	Colour:
T400.H	LN	E3 H1	3K 4K	10 40	B (Black) W (White)

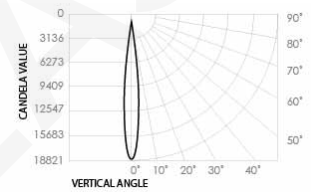
Photometrics



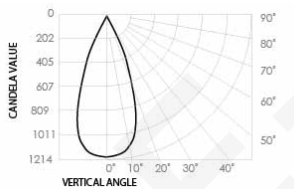
Source lumen output: 480lm
 Delivered lumen output: 440lm
 Efficacy: 55lm/W
 Colour temp.: 3000K
 Beam angle: 10°



Source lumen output: 480lm
 Delivered lumen output: 450lm
 Efficacy: 56lm/W
 Colour temp.: 3000K
 Beam angle: 40°



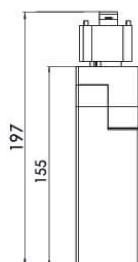
Source lumen output: 490lm
 Delivered lumen output: 450lm
 Efficacy: 56lm/W
 Colour temp.: 4000K
 Beam angle: 10°



Source lumen output: 490lm
 Delivered lumen output: 460lm
 Efficacy: 58lm/W
 Colour temp.: 4000K
 Beam angle: 40°

Dimensions (mm)

Front view



Side view



Electrical

Input voltage:
220-240V

Power usage:
8

Driver power factor: >0.9
IP rating: IP44

Surge protection:
3100V

Dimmable:
Yes

Operational

Operating temp.:
-30 to 85°C

Average temp.:
60°C

Ambient temp.:
-28 to 50°C

Lifetime:
50,000 hrs (@TA25)

Source Lumens:
480lm or 490lm

Physical

Gimbal angle:
90°/360°

Warranty:
7 years

Type:
H-Track or Eurotrack

Compatibility

Recommended Dimmers:

"Compatible with leading home automation systems and dimmers.

Recommended Dimmers:

Universal, Trailing Edge, Leading Edge.

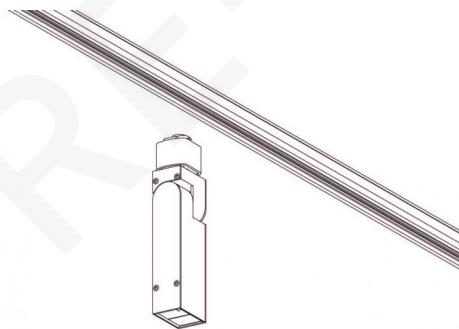
For more details please refer to:

<https://brightgreen.com/digital-driver>

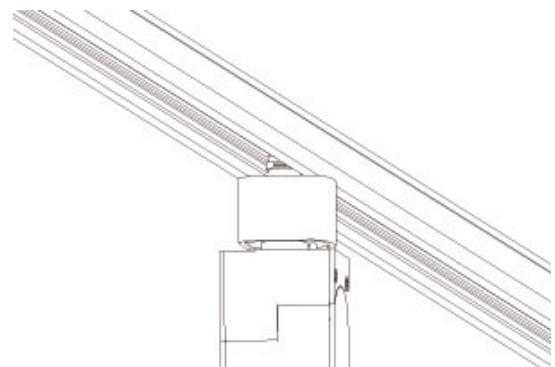
All systems are unique, please

call 1300 672 499 for advice on your installation."

Installation

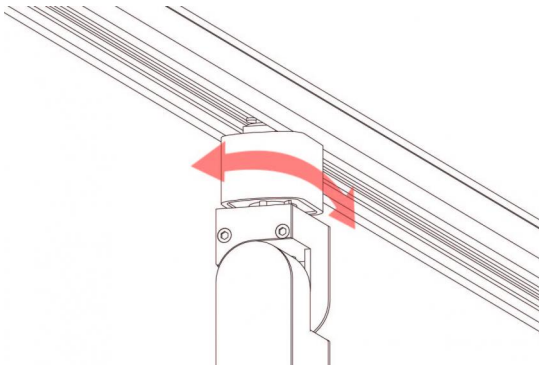


Step 1
Align the track connector with the track.



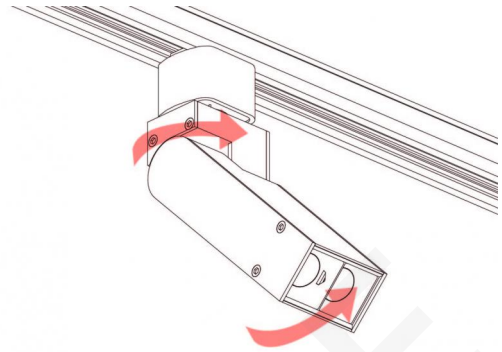
Step 2
Insert the fitting into the track channel.

Installation



Step 3

Twist the track base in order to lock the fitting into the track channel. The direction of the twist is dependent on where the contact points are in the track.



Step 4

Once the light is locked into the track, orient the luminaire to focus the light as required.

PRE-RELEASE