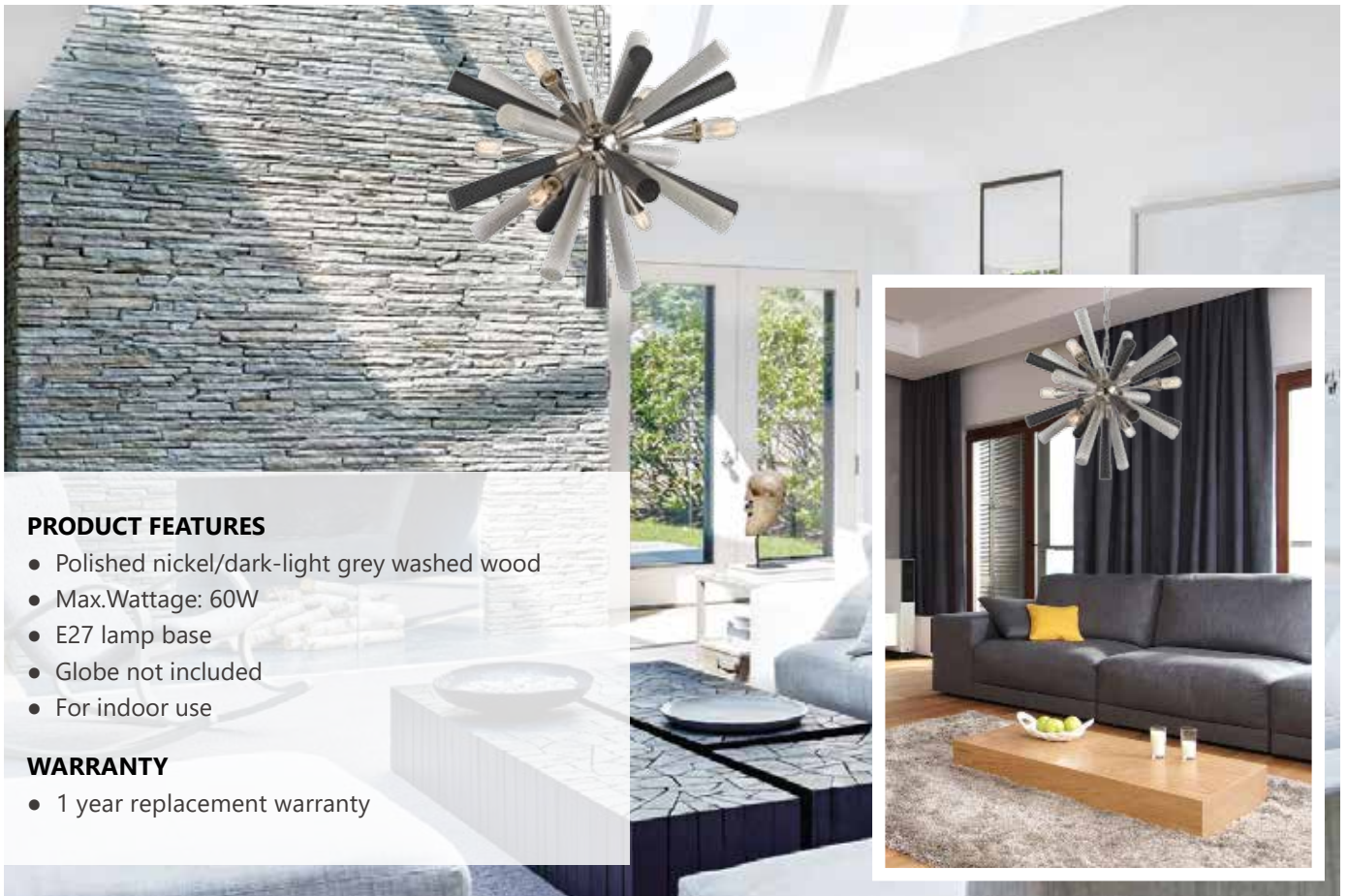


E27 Interior Pendant/ Wall Lamps

SPUTNIK SERIES



PRODUCT FEATURES

- Polished nickel/dark-light grey washed wood
- Max.Wattage: 60W
- E27 lamp base
- Globe not included
- For indoor use

WARRANTY

- 1 year replacement warranty

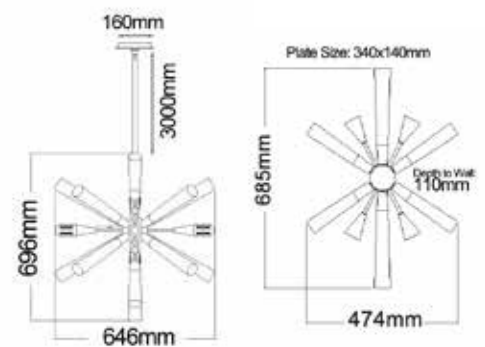
SPUTNIK series includes pendant light & wall light -SPUTNIK2



▲ SPUTNIK1
PENDANT LIGHT



▲ SPUTNIK2
WALL LIGHT



GROUP: SPUTNIK1: INPEFT; SPUTNIK2: INWALL

CODE	DESCRIPTION	DIAM (mm)	HEIGHT (mm)	CABLE L(mm)	CANOPY OD(mm)	BACK PLATE (mm)	CARTON QTY
SPUTNIK1	6XE27 POLISHED NICKEL/ DARK-LIGHT GREY PENDANT	Ø696	646	3000	Ø160	-	1/1
SPUTNIK2	4XE27 POLISHED NICKEL/DARK-LIGHT GREY WALL LAMP	Ø474	685	-	-	340x140	1/1