

LED Exterior Surface Mounted / Recessed Step Lights STE SERIES



▲ STE1,2



▲ STE3,4

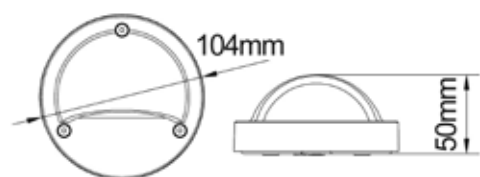
PRODUCT FEATURES

- Input voltage: 12V DC or 240V AC
- Wattage: 2.3W
- SMD3528 LED chips
- Surface mounted
- Material: die cast aluminium or stainless steel 316
- Polished finish
- Remote control gear required for 12M models (DC driver only)

WARRANTY

- 1 year replacement warranty

**50,000
HRS**



GROUP: EXWAFT

CODE	DESCRIPTION	KELVIN (K)	LUMENS (LM)	WATT (W)	BEAM ANGLE	IP	DIMM	DIAM (mm)	HEIGHT (mm)	CARTON QTY
STE1	12V DC SS 316 RND EYELID STEP LIGHT 3000K	3000	144	2.3	120°	IP44	NO	Ø104	50	1/30
STE2	240V AC SS 316 RND EYELID STEP LIGHT 3000K	3000	144	2.3	120°	IP44	NO	Ø104	50	1/30
STE3	12V DC BLK RND EYELID STEP LIGHT 3000K	3000	144	2.3	120°	IP44	NO	Ø104	50	1/30
STE4	240V AC BLK RND EYELID STEP LIGHT 3000K	3000	144	2.3	120°	IP44	NO	Ø104	50	1/30

EXTERIOR LIGHTING

PRODUCT FEATURES

- Input voltage: 240V AC
- Wattage: 7W
- Osram LED chips
- Recessed (Trapezium)
- Material: die cast aluminium & PC diffuser

WARRANTY

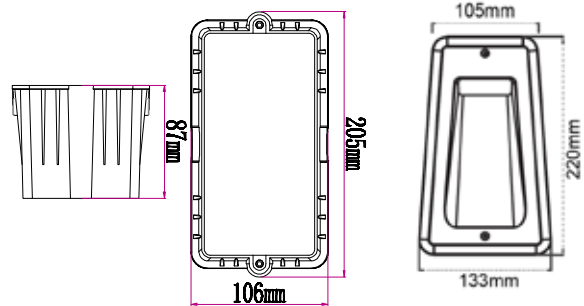
- 3 year replacement warranty



▲ STE5



▲ STE6



30,000
HRS

GROUP: EXWAFT

CODE	DESCRIPTION	KELVIN (K)	LUMENS (LM)	WATT (W)	BEAM ANGLE	IP	DIMM	WIDTH (mm)	LENGTH (mm)	CARTON QTY
STE5	7W LED RECESSED WALL LIGHT MATT WH 3000K	3000	190	7	75.6°	IP54	NO	105	220	1/12
STE6	7W LED RECESSED WALL LIGHT MATT BLK 3000K	3000	190	7	75.6°	IP54	NO	105	220	1/12

PRODUCT FEATURES

- Input voltage: 240V AC
- Material: die casting & PC
- Wattage: 3.5W
- 1pc CREE LED chip
- Not suitable for dimming

WARRANTY

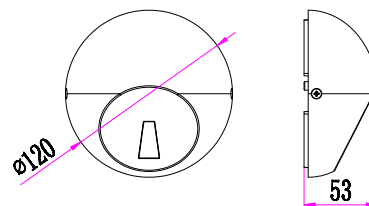
- 3 year replacement warranty



▲ STE7



▲ STE8



30,000
HRS

GROUP: EXWAFT

CODE	DESCRIPTION	KELVIN (K)	LUMENS (LM)	WATT (W)	BEAM ANGLE	IP	DIMM	DIAM (mm)	DEPTH (mm)	CARTON QTY
STE7	3.5W LED EXTERIOR S/M DARK GREY STEP LIGHT	3000	45	3.5	14°	IP65	NO	Ø120	53	1/16
STE8	3.5W LED EXTERIOR S/M WH STEP LIGHT	3000	45	3.5	14°	IP65	NO	Ø120	53	1/16