

# LED DIMMABLE TRACK LIGHTS



▲ TRKBLH

### PRODUCT FEATURES

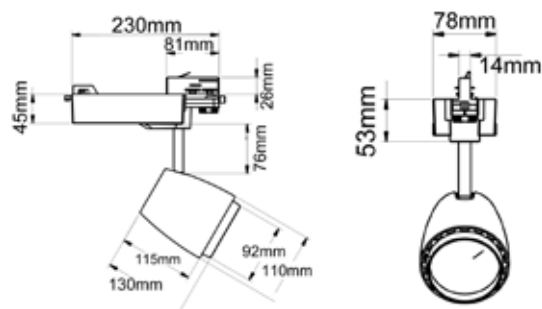
- Input voltage: 240V AC 50/60Hz
- Wattage: 30W
- Edison HM24 COB LED chips
- Polycarbonate gear box, die-cast aluminium light body
- 3 way switching option
- Power factor: 0.9
- Suitable for dimming, triac dimmable driver inbuilt
- Track can be hung from ceiling with suspension cable (Not available from CLA)

### WARRANTY

- 3 year replacement warranty



▲ TRKWHH



### RECOMMENDED DIMMERS

BRAND	CODE	MIN/MAX FITTINGS PER DIMMERS
CLA - Trailing Edge	LYNX	1-3 PCS
CLIPSAL- Universal	32E450UDM	1-3 PCS
CLIPSAL - Trailing Edge	32E450TM	1-3 PCS
HPM - Trailing Edge	CAT400T	1-3 PCS

30,000 HRS

### GROUP: TRKCON

CODE	DESCRIPTION	KELVIN (K)	LUMENS (LM)	WATT (W)	CRI	BEAM ANGLE	IP	DIMM	CARTON QTY
TRKBLHDW	30W LED TRACK LIGHT BLK DIMM 3000K	3000	2172	30	>80	35°	IP20	YES	1/12
TRKBLHDN	30W LED TRACK LIGHT BLK DIMM 5000K	5000	2172	30	>80	35°	IP20	YES	1/12
TRKWHDW	30W LED TRACK LIGHT WH DIMM 3000K	3000	2172	30	>80	35°	IP20	YES	1/12
TRKWHDN	30W LED TRACK LIGHT WH DIMM 5000K	5000	2172	30	>80	35°	IP20	YES	1/12