

D1100.SXMOON Curve LED Downlight

Datasheet



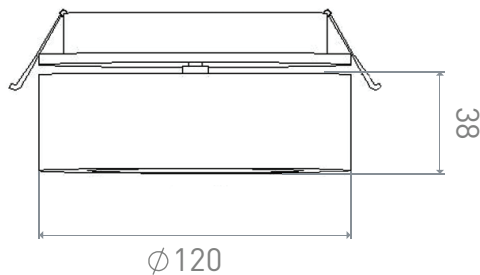
Product codes

| | | | | | |
|------------------------------|----------------------|--|---------------------------------|--|--|
| Unit: D1100.SXMOON | Series: CR | Colour temp.: 2.7K 3K 4K 5K | Beam angle (°): DF120 | Colour: B (Black) W (White) | Driver: ND (Non-Dimmable) PHASE (Phase) 010V (0-10V) |
|------------------------------|----------------------|--|---------------------------------|--|--|

Electrical

| | | | | | |
|---|-----------------------------------|----------------------------|-------------------------------------|---------------------------|-----------------------------------|
| Colour temperature: 2700K or 3000K or 4000K or 5000K | Input voltage: 220-240V | Power usage: 18W | Driver power factor: >0.6 | IP rating: IP20 | Dimmable: Phase 010V |
|---|-----------------------------------|----------------------------|-------------------------------------|---------------------------|-----------------------------------|

Dimensions (mm)



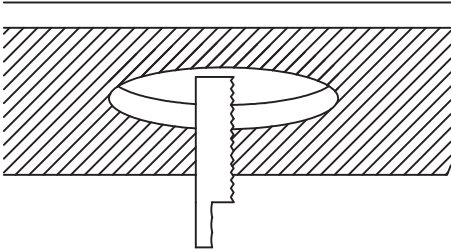
Operational

| | | |
|--|---------------------------------------|--|
| Lumen output: 2.7K: 1145lm 3K: 1170lm 4K: 1195lm 5K: 1300lm | Light quality (CRI): >90CRI | Ambient temp.: -20°C to 50°C |
|--|---------------------------------------|--|

Physical

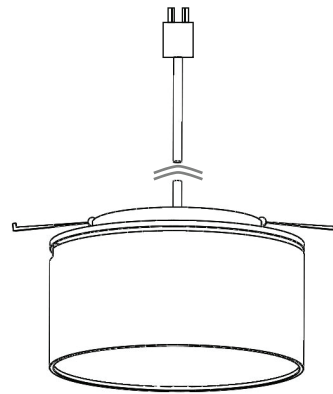
| | |
|-----------------------------|----------------------------------|
| Warranty: 5 years | Mounting type: Surface |
|-----------------------------|----------------------------------|

Installation



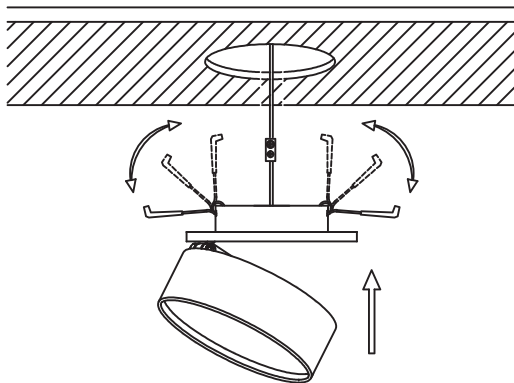
Step 1

Using a hole saw, cut a 102mm hole in the ceiling at the desired location.



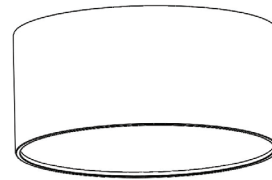
Step 2

Plug the light into the mounted general power outlet (GPO) in the ceiling



Step 3

Pull back the springs and insert the luminaire into the ceiling cavity. This luminaire can be covered and abutted with insulation.



Step 4

Installation complete.