

D700+ Curve LED Downlight

Datasheet



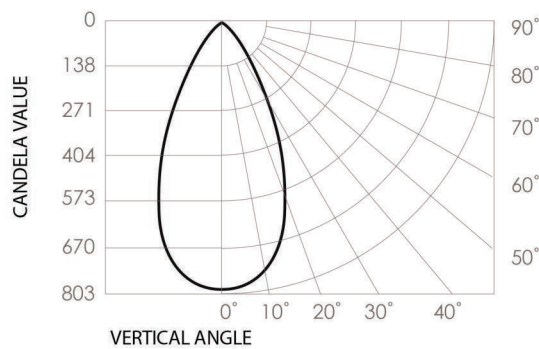
TRU-COLOUR®

Product codes

Unit:	Series:	Colour temp.:	Beam angle (°):	Colour:	Driver Type:
D700+	CR	1.8K.3.1K	20	B (Black)	PHASE (PHASE)
		2.7K	35	W (White)	DALI (DALI)
		2.8K.5.8K (ZIGBEE)	55		ZIGBEE (ZIGBEE 3.0)
		3K			CASAMBI (CASAMBI)
		4K			010V (0-10V)
		5K			

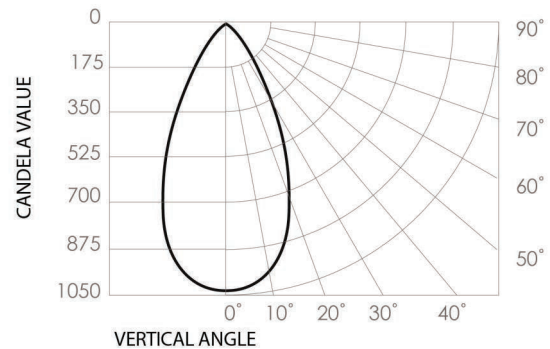
Photometrics

Standard Products



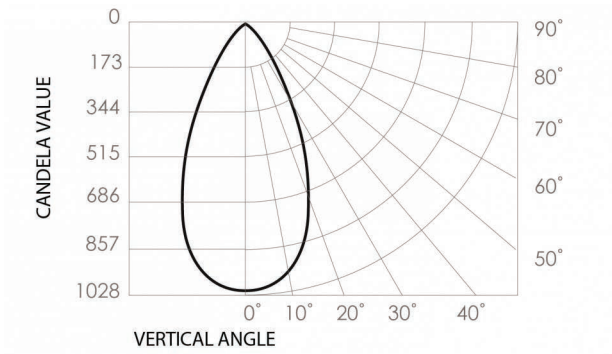
Source lumen output: 765lm
 Delivered lumen: 570lm
 Efficacy: 54lm/W
 Colour temp.: 1.8K-3.1K (Night Shift)
 Beam angle: 55°
 CRI: 97

Standard Deviation of colour matching (SDCM): 2MacAdams Steps



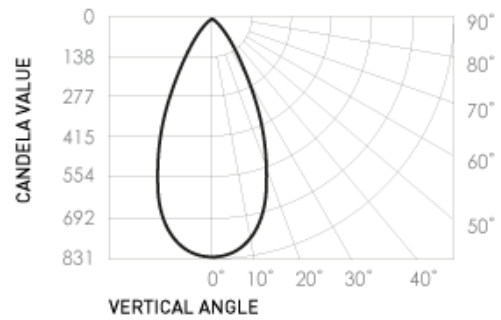
Source lumen output: 1000lm
 Delivered lumen: 745lm
 Efficacy: 70lm/W
 Colour temp.: 4000K
 Beam angle: 55°
 CRI: 97

Standard Deviation of colour matching (SDCM): 2MacAdams Steps



Source lumen output: 980lm
 Delivered lumen: 730lm
 Efficacy: 69lm/W
 Colour temp.: 3000K
 Beam angle: 55°
 CRI: 97

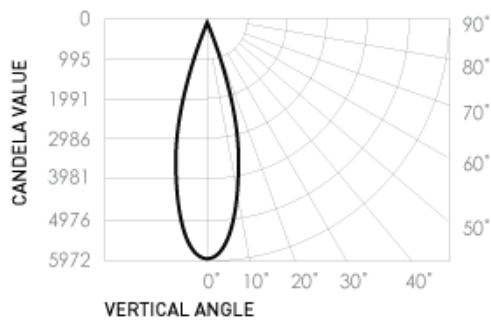
Standard Deviation of colour matching (SDCM): 2MacAdams Steps



Source lumen output: 960lm
 Delivered lumen: 715lm
 Efficacy: 67lm/W
 Colour temp.: 2700K
 Beam angle: 55°
 CRI: 97

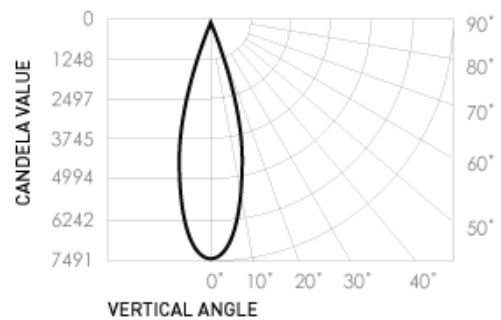
Standard Deviation of colour matching (SDCM): 2MacAdams Steps

Special Order Products



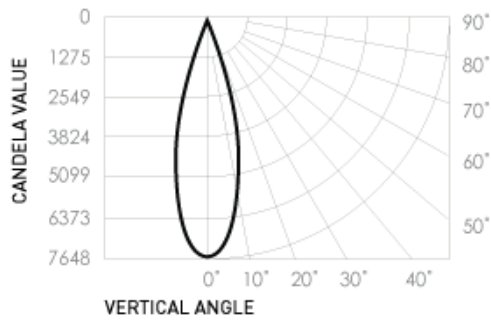
Source lumen output: 765lm
 Delivered lumen: 570lm
 Efficacy: 54lm/W
 Colour temp.: 1.8K-3.1K (Night Shift)
 Beam angle: 20 (Special Order)°
 CRI: 97

Standard Deviation of colour matching (SDCM): 2MacAdams Steps



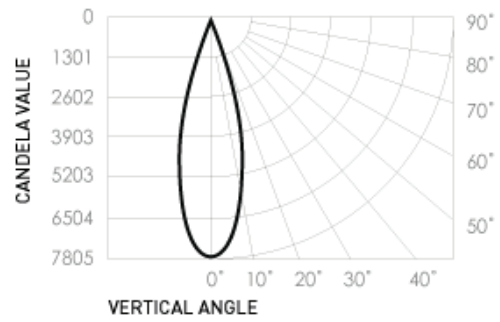
Source lumen output: 960lm
 Delivered lumen: 715lm
 Efficacy: 67lm/W
 Colour temp.: 2700K
 Beam angle: 20 (Special Order)°
 CRI: 97

Standard Deviation of colour matching (SDCM): 2MacAdams Steps



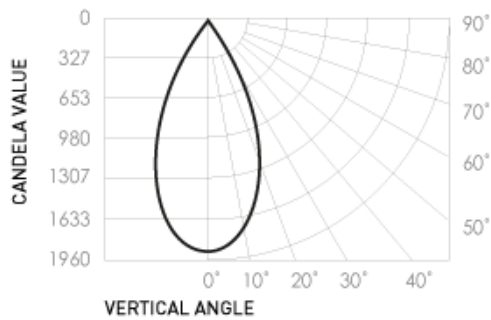
Source lumen output: 980lm
 Delivered lumen: 730lm
 Efficacy: 69lm/W
 Colour temp.: 3000K
 Beam angle: 20 (Special Order)°
 CRI: 97

Standard Deviation of colour matching (SDCM): 2MacAdams Steps



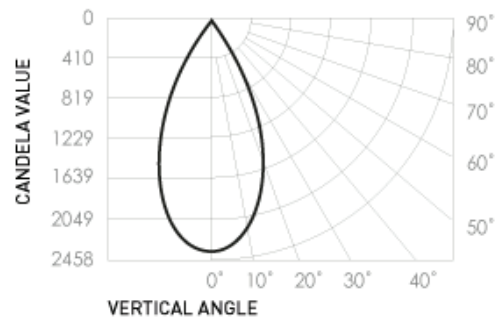
Source lumen output: 1000lm
 Delivered lumen: 745lm
 Efficacy: 70lm/W
 Colour temp.: 4000K
 Beam angle: 20 (Special Order)°
 CRI: 97

Standard Deviation of colour matching (SDCM): 2MacAdams Steps



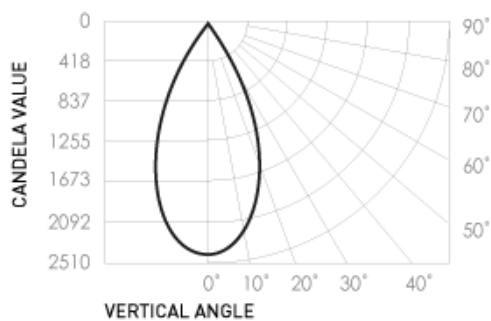
Source lumen output: 765lm
 Delivered lumen: 570lm
 Efficacy: 54lm/W
 Colour temp.: 1.8K-3.1K (Night Shift)
 Beam angle: 35 (Special Order)°
 CRI: 97

Standard Deviation of colour matching (SDCM): 2MacAdams Steps



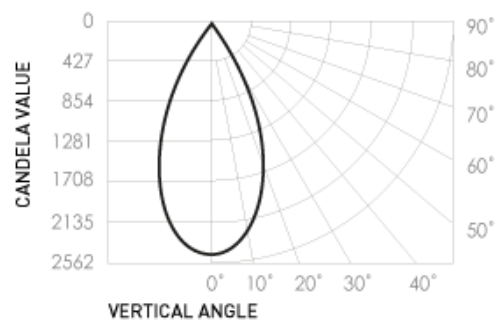
Source lumen output: 960lm
 Delivered lumen: 715lm
 Efficacy: 67lm/W
 Colour temp.: 2700K
 Beam angle: 35 (Special Order)°
 CRI: 97

Standard Deviation of colour matching (SDCM): 2MacAdams Steps



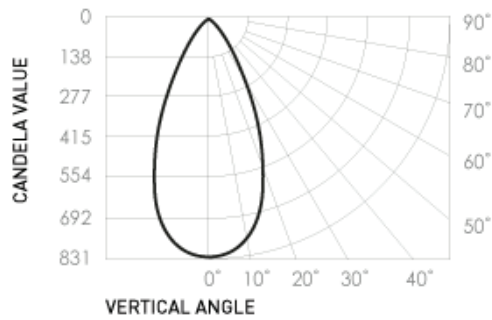
Source lumen output: 980lm
 Delivered lumen: 730lm
 Efficacy: 69lm/W
 Colour temp.: 3000K
 Beam angle: 35 (Special Order)°
 CRI: 97

Standard Deviation of colour matching (SDCM): 2MacAdams Steps



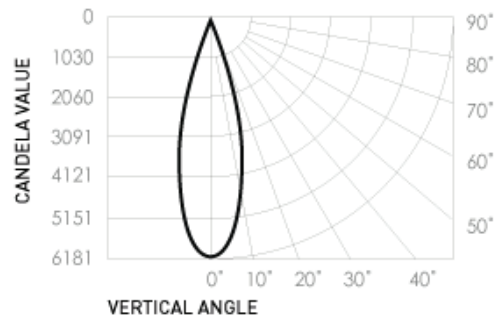
Source lumen output: 1000lm
 Delivered lumen: 745lm
 Efficacy: 70lm/W
 Colour temp.: 4000K
 Beam angle: 35 (Special Order)°
 CRI: 97

Standard Deviation of colour matching (SDCM): 2MacAdams Steps



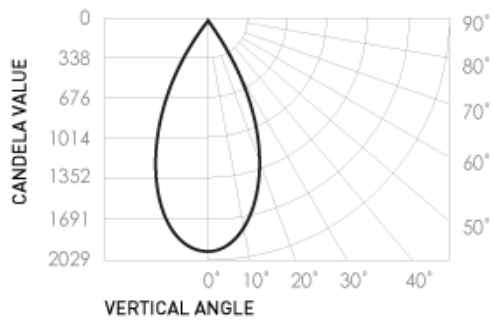
Source lumen output: 790lm
 Delivered lumen: 590lm
 Efficacy: 56lm/W
 Colour temp.: 2.7K - 6.5K (Dayshift)(Special Order)
 Beam angle: 55°
 CRI: 97

Standard Deviation of colour matching (SDCM): 2MacAdams Steps



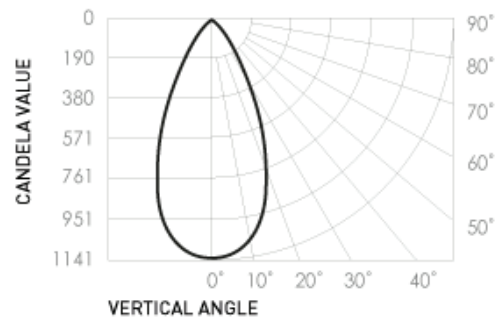
Source lumen output: 790lm
 Delivered lumen: 590lm
 Efficacy: 56lm/W
 Colour temp.: 2.7K - 6.5K (Dayshift)(Special Order)
 Beam angle: 20 (Special Order)°
 CRI: 97

Standard Deviation of colour matching (SDCM): 2MacAdams Steps



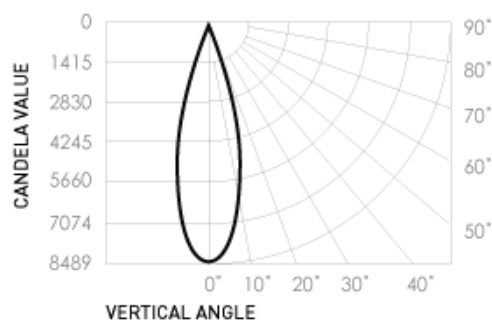
Source lumen output: 790lm
 Delivered lumen: 590lm
 Efficacy: 56lm/W
 Colour temp.: 2.7K - 6.5K (Dayshift)(Special Order)
 Beam angle: 35 (Special Order)°
 CRI: 97

Standard Deviation of colour matching (SDCM): 2MacAdams Steps



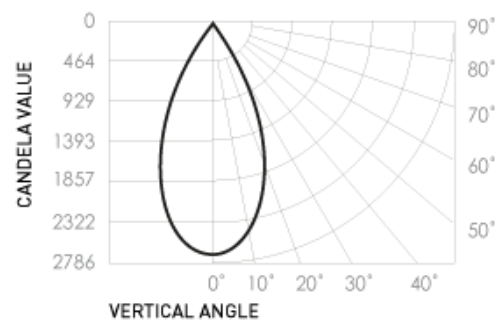
Source lumen output: 1085lm
 Delivered lumen: 810lm
 Efficacy: 76lm/W
 Colour temp.: 5000K (Special Order)
 Beam angle: 55°
 CRI: 97

Standard Deviation of colour matching (SDCM): 2MacAdams Steps



Source lumen output: 1085lm
 Delivered lumen: 810lm
 Efficacy: 76lm/W
 Colour temp.: 5000K (Special Order)
 Beam angle: 20 (Special Order)°
 CRI: 97

Standard Deviation of colour matching (SDCM): 2MacAdams Steps

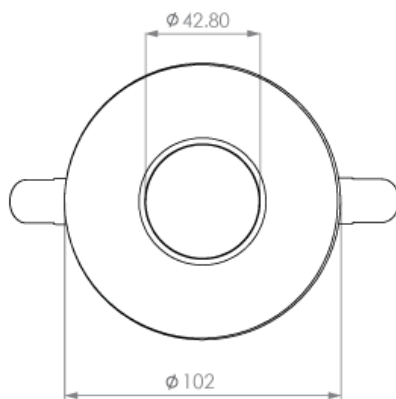


Source lumen output: 1085lm
 Delivered lumen: 810lm
 Efficacy: 76lm/W
 Colour temp.: 5000K (Special Order)
 Beam angle: 35 (Special Order)°
 CRI: 97

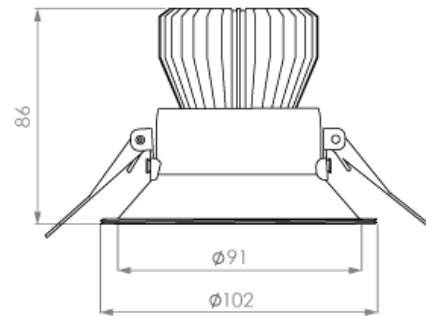
Standard Deviation of colour matching (SDCM): 2MacAdams Steps

Dimensions (mm)

Front view



Side view



Electrical

Input voltage: 220-240V	Power usage: 10.6W	Driver power factor: 0.9	IP rating: IP44	Surge protection: Yes
AC Cable length: 1.2m	Dimmable: Yes	Driver: BG-015DALI-OS-235mA, BG-030DALI-250mA.1000mA-DS (set to 350mA), BG-010BSD-235mA, BG-030ZIGBEE-250/1000mA (set to 250mA), BG-350mA-ZIGBEE-DS	DC Cable Length: 0.3m	

Operational

Average temp.: 65°C	Ambient temp.: -28 to 60°C	Lifetime L70, B10: 70,000 hrs (@TA25)	Thermal rating: IC-4	Source Lumens: 980lm or 1000lm or 960lm or 790lm or 765lm or 1085lm
SDCM: 2MacAdams Steps				

Physical

Weight: 490g	Gimbal angle: 17° Universal	Warranty: 7 years
------------------------	---------------------------------------	-----------------------------

Compatibility

Recommended Dimmers:

Compatible with leading home automation systems and dimmers.

Recommended Dimmers:

Universal, Trailing Edge, Leading Edge.
Dali option available on request.

Dayshift CCT (2.8K-5.8K) requires a ZIGBEE or DALI driver.

*For more details please refer to:

<https://brightgreen.com/digital-driver>

All systems are unique, please

call 1300 672 499 for advice on your installation.

Brightgreen Smart Lighting:

Dimmable LED driver utilises Zigbee 3.0 protocol

Compatible with universal Zigbee Hub products such as Philips Hue Samsung Smart Things.

Follow pairing procedure found in smart driver datasheet

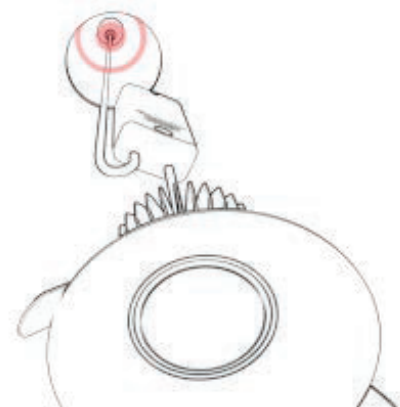
*For more details please call 1300 672 499 for advice on your installation.

Installation



Step 1

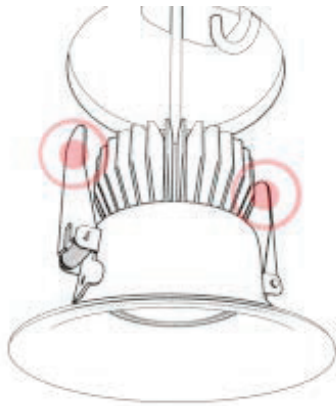
Using a 92mm hole saw, cut a hole in the ceiling at the desired location.



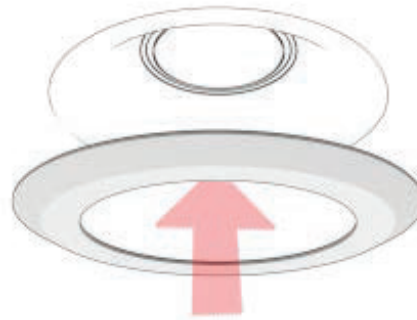
Step 2

Plug the driver into a mounted general power outlet (GPO) in the ceiling. This luminaire can be covered and abutted with insulation.

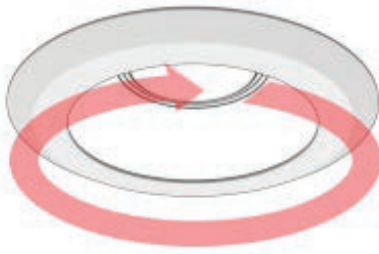
Installation



Step 3
Pull back the springs and insert the luminaire into the ceiling cavity.



Step 4
For installation with a fascia, align the luminaire with the fascia and screw clockwise until firmly in place.



Step 5
Thread the fascia clockwise until firmly in place.
Installation complete.