

# D900 Cube LED downlight

## Datasheet



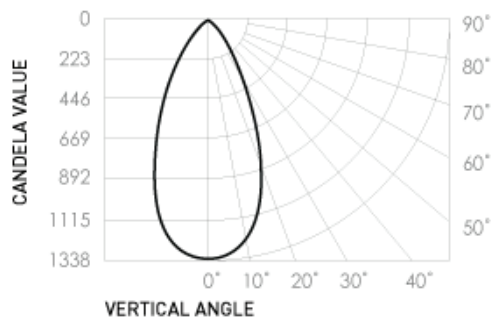
**TRU-COLOUR®**

### Product codes

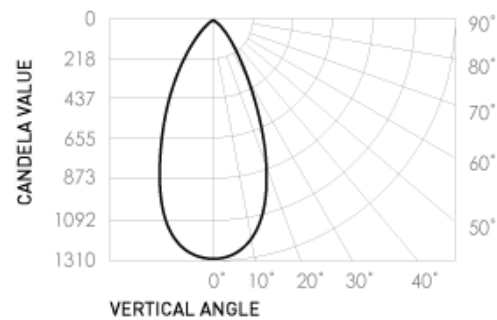
Unit:	Series:	Colour temp.:	Beam angle (°):	Colour:	Driver Type:
D900	CB	1.8K.3.1K 2.7K 3K 4K 5K	55	B (Black) W (White)	PHASE (PHASE) DALI (DALI) ZIGBEE (ZIGBEE 3.0) CASAMBI (CASAMBI) 010V (0-10V)

### Photometrics

#### Standard Products

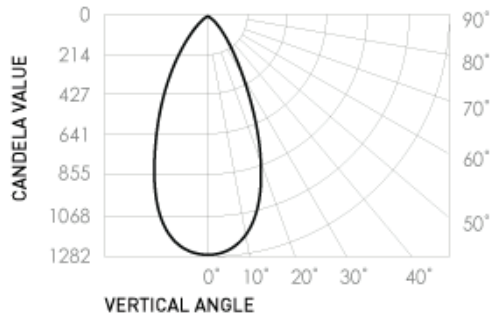


**Source lumen output:** 1215lm  
**Delivered lumen:** 950lm  
**Efficacy:** 71lm/W  
**Colour temp.:** 4000K  
**Beam angle:** 55°  
**CRI:** 97  
**Standard Deviation of colour matching (SDCM):** 2MacAdams Steps

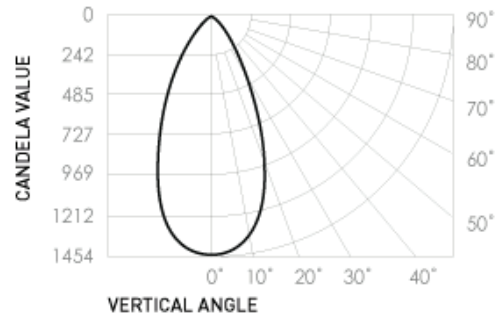


**Source lumen output:** 1190lm  
**Delivered lumen:** 930lm  
**Efficacy:** 70lm/W  
**Colour temp.:** 3000K  
**Beam angle:** 55°  
**CRI:** 97  
**Standard Deviation of colour matching (SDCM):** 2MacAdams Steps

#### Special Order Products



**Source lumen output:** 1165lm  
**Delivered lumen:** 910lm  
**Efficacy:** 68lm/W  
**Colour temp.:** 2700K (Special Order)  
**Beam angle:** 55°  
**CRI:** 97  
**Standard Deviation of colour matching (SDCM):** 2MacAdams Steps

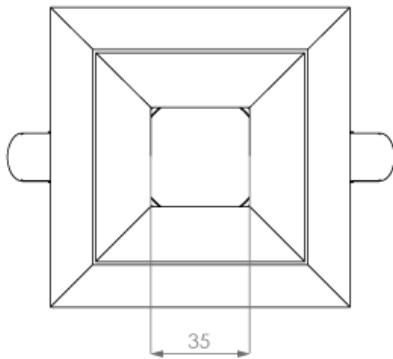


**Source lumen output:** 1320lm  
**Delivered lumen:** 1030lm  
**Efficacy:** 77lm/W  
**Colour temp.:** 5000K (Special Order)  
**Beam angle:** 55°  
**CRI:** 97  
**Standard Deviation of colour matching (SDCM):** 2MacAdams Steps

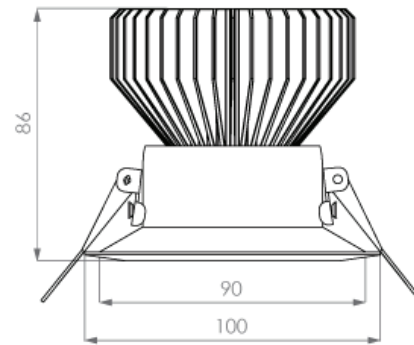
## Dimensions (mm)

---

Front view



Side view



## Electrical

---

<b>Input voltage:</b> 220-240V	<b>Power usage:</b> 13.3W	<b>Driver power factor:</b> 0.9	<b>IP rating:</b> IP44	<b>Surge protection:</b> Yes
<b>AC Cable length:</b> 1.2m	<b>Dimmable:</b> Yes	<b>Driver:</b> BG-018BSD-320mA BG-030SMART-250/1000mA-DS {set to 500mA}	<b>DC Cable Length:</b> 0.3m	

## Operational

---

<b>Average temp.:</b> 65°C	<b>Ambient temp.:</b> -28 to 60°C	<b>Lifetime L70, B10:</b> 70,000 hrs (@TA25)	<b>Thermal rating:</b> IC	<b>Source Lumens:</b> 1190lm or 1215lm or 1320lm or 870lm or 1165lm
<b>SDCM:</b> 2MacAdam Steps				

## Physical

---

<b>Weight:</b> 570g	<b>Gimbal angle:</b> 17° Universal	<b>Warranty:</b> 7 years	<b>Version:</b> 3.0
------------------------	---------------------------------------	-----------------------------	------------------------

## Compatibility

---

### Recommended Dimmers:

Compatible with leading home automation systems and dimmers.

Recommended Dimmers:

Universal, Trailing Edge, Leading Edge.

Dali option available on request.

### Brightgreen Smart Lighting:

Dimmable LED driver utilises Zigbee 3.0 protocol

Compatible with universal Zigbee Hub products such as Philips Hue Samsung Smart Things.

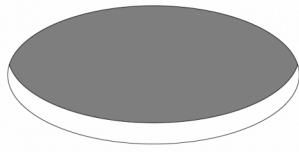
Follow pairing procedure found in smart driver datasheet

\*For more details please call 1300 672 499 for advice on your installation.

\*For more details please refer to:  
<https://brightgreen.com/digital-driver>

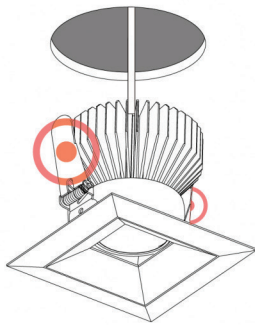
All systems are unique, please  
call 1300 672 499 for advice on your installation.

## Installation



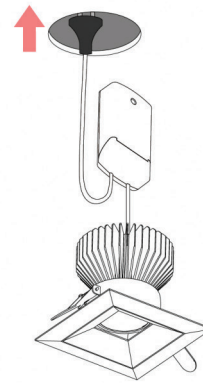
### Step 1

Using a 92mm hole saw, cut a hole in the ceiling at the desired location.



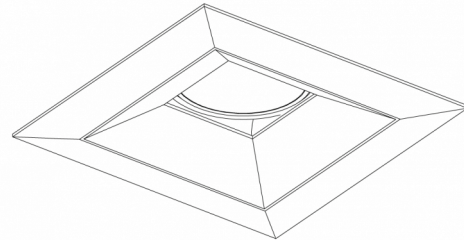
### Step 3

Pull back the springs and insert the luminaire into the ceiling cavity.



### Step 2

Plug the driver into a mounted general power outlet (GPO) in the ceiling.



### Step 4

Once the light is installed, orient the luminaire using its universal gimbal to focus the light as required.