

D900+ Curve LED downlight

Datasheet



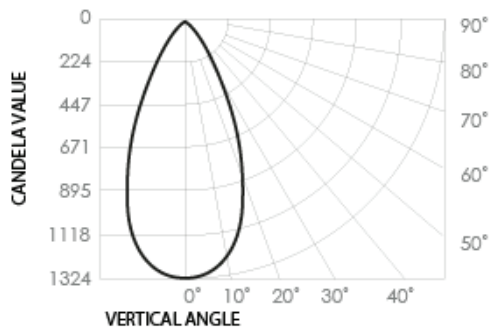
TRU-COLOUR®

Product codes

Unit:	Series:	Colour temp.:	Beam angle (°):	Colour:	Driver Type:
D900+	CR	1.8K.3.1K (Nightshift)	20	B (Black)	PHASE (PHASE)
		2.8K.5.8K (Dayshift) (SMART)	35	W (White)	DALI (DALI)
		2.7K	55		ZIGBEE (ZIGBEE 3.0)
		3K			CASAMBI (CASAMBI)
		4K			010V (0-10V)
		5K			

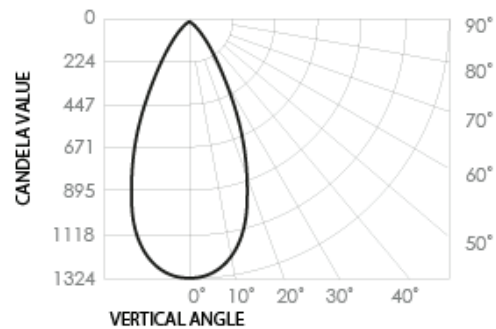
Photometrics

Standard Products



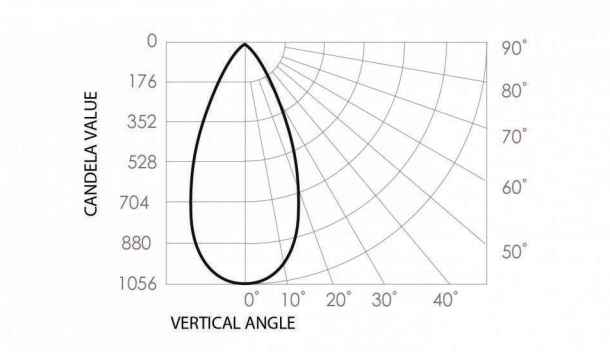
Source lumen output: 1190lm
 Delivered lumen: 970lm
 Efficacy: 73lm/W
 Colour temp.: 3000K
 Beam angle: 55°
 CRI: 97

Standard Deviation of colour matching (SDCM): 2MacAdams Steps



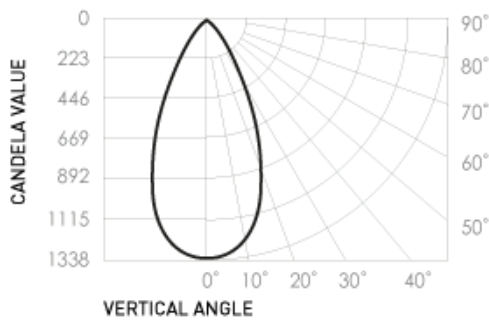
Source lumen output: 1215lm
 Delivered lumen: 990lm
 Efficacy: 74lm/W
 Colour temp.: 4000K
 Beam angle: 55°
 CRI: 97

Standard Deviation of colour matching (SDCM): 2MacAdams Steps

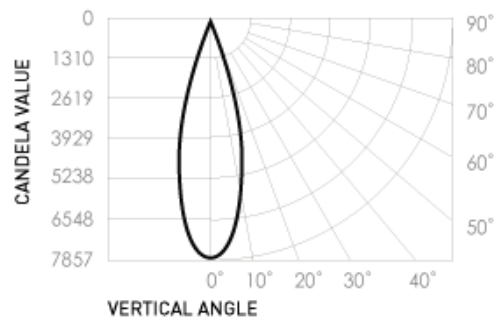


Source lumen output: 920lm
Delivered lumen: 750lm
Efficacy: 56lm/W
Colour temp.: 1.8K-3.1K (Night Shift)
Beam angle: 55°
CRI: 97
Standard Deviation of colour matching (SDCM): 2MacAdams Steps

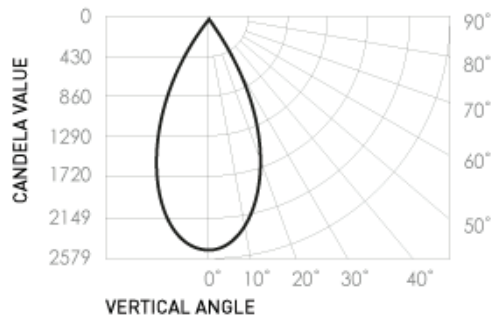
Special Order Products



Source lumen output: 1165lm
Delivered lumen: 1005lm
Efficacy: 76lm/W
Colour temp.: 2700K (Special Order)
Beam angle: 55°
CRI: 97
Standard Deviation of colour matching (SDCM): 2MacAdams Steps

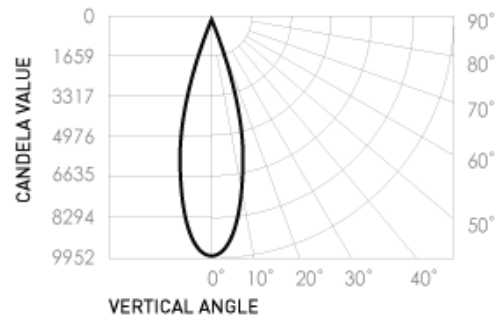


Source lumen output: 920lm
Delivered lumen: 750lm
Efficacy: 56lm/W
Colour temp.: 1.8K-3.1K (Night Shift)
Beam angle: 20 (Special Order)°
CRI: 97
Standard Deviation of colour matching (SDCM): 2MacAdams Steps



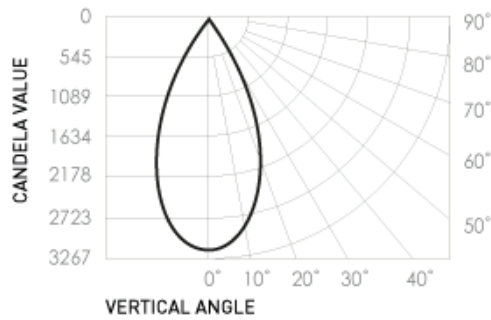
Source lumen output: 920lm
 Delivered lumen: 750lm
 Efficacy: 56lm/W
 Colour temp.: 1.8K-3.1K (Night Shift)
 Beam angle: 35 (Special Order)[°]
 CRI: 97

Standard Deviation of colour matching (SDCM): 2MacAdams Steps



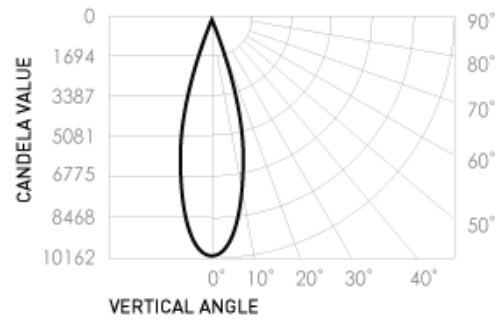
Source lumen output: 1165lm
 Delivered lumen: 950lm
 Efficacy: 71lm/W
 Colour temp.: 2700K (Special Order)
 Beam angle: 20 (Special Order)[°]
 CRI: 97

Standard Deviation of colour matching (SDCM): 2MacAdams Steps



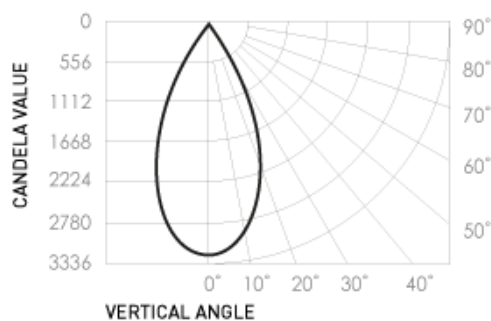
Source lumen output: 1165lm
 Delivered lumen: 950lm
 Efficacy: 71lm/W
 Colour temp.: 2700K (Special Order)
 Beam angle: 35 (Special Order)[°]
 CRI: 97

Standard Deviation of colour matching (SDCM): 2MacAdams Steps



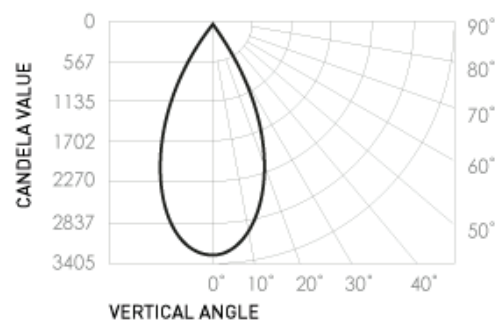
Source lumen output: 1190lm
 Delivered lumen: 970lm
 Efficacy: 73lm/W
 Colour temp.: 3000K
 Beam angle: 20 (Special Order)[°]
 CRI: 97

Standard Deviation of colour matching (SDCM): 2MacAdams Steps



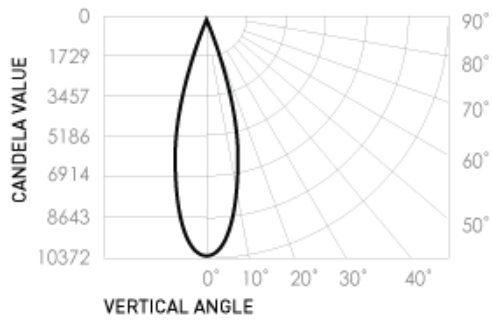
Source lumen output: 1190lm
 Delivered lumen: 970lm
 Efficacy: 73lm/W
 Colour temp.: 3000K
 Beam angle: 35 (Special Order)[°]
 CRI: 97

Standard Deviation of colour matching (SDCM): 2MacAdams Steps

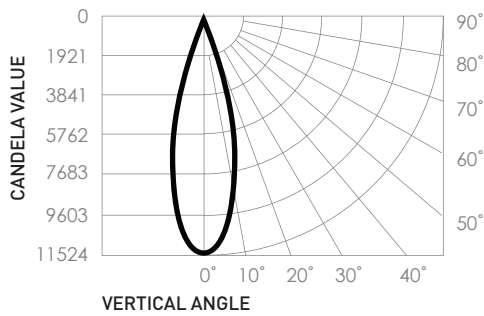


Source lumen output: 1215lm
 Delivered lumen: 990lm
 Efficacy: 74lm/W
 Colour temp.: 4000K
 Beam angle: 35 (Special Order)[°]
 CRI: 97

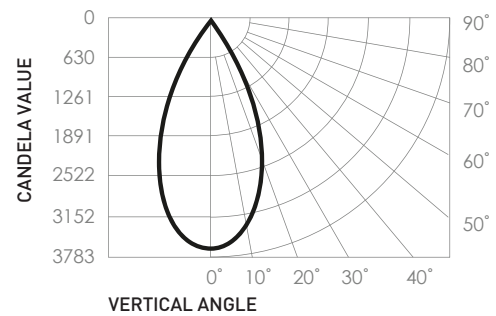
Standard Deviation of colour matching (SDCM): 2MacAdams Steps



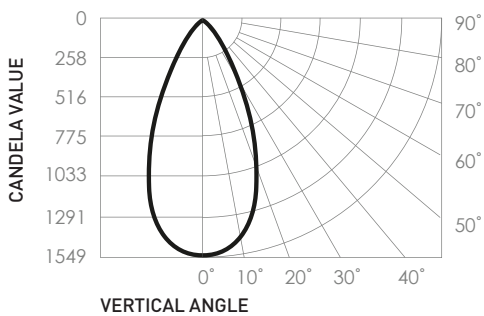
Source lumen output: 1215lm
Delivered lumen: 990lm
Efficacy: 74lm/W
Colour temp.: 4000K
Beam angle: 20 (Special Order)^o
CRI: 97
Standard Deviation of colour matching (SDCM): 2MacAdams Steps



Source lumen output: 1345lm
Delivered lumen: 1100lm
Efficacy: 83lm/W
Colour temp.: 5000K
Beam angle: 20^o
CRI: 97
Standard Deviation of colour matching (SDCM): 2MacAdams Steps



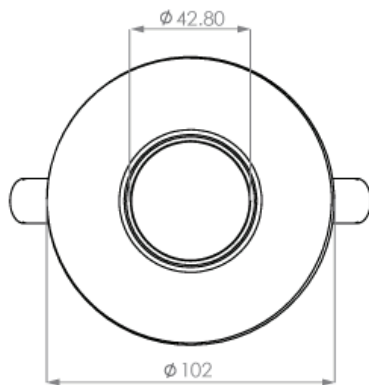
Source lumen output: 1345lm
Delivered lumen: 1100lm
Efficacy: 83lm/W
Colour temp.: 5000K
Beam angle: 35^o
CRI: 97
Standard Deviation of colour matching (SDCM): 2MacAdams Steps



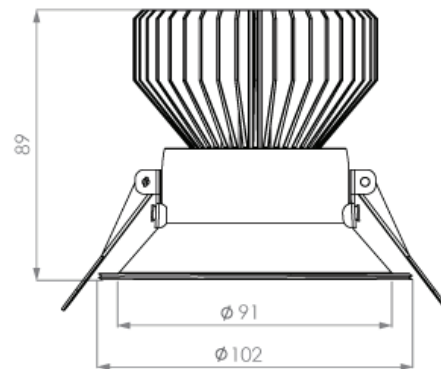
Source lumen output: 1345lm
Delivered lumen: 1100lm
Efficacy: 83lm/W
Colour temp.: 5000K
Beam angle: 55^o
CRI: 97
Standard Deviation of colour matching (SDCM): 2MacAdams Steps

Dimensions (mm)

Front view



Side view



Electrical

Input voltage: 220-240V	Power usage: 13.3W	Driver power factor: 0.9	IP rating: IP44	Surge protection: Yes
AC Cable length: 1.2m	Dimmable: Yes	Driver: BG-015DALI-OS-320mA, BG-030DALI-250mA.1000mA-DS (set to 500mA), BG-018BSD-320mA, BG-030ZIGBEE-250/1000mA (set to 300mA), BG-030ZIGBEE-250/1000mA-DS (set to 500mA)	DC Cable Length: 0.3m	

Operational

Average temp.: 65°C	Ambient temp.: -28 to 60°C	Lifetime L70, B10: 70,000 hrs (@TA25)	Thermal rating: IC-4	Source Lumens: 1190lm or 1215lm or 1165lm or 920lm
SDCM: 2MacAdams Steps				

Physical

Weight: 570g	Gimbal angle: 17° Universal	Warranty: 7 years
------------------------	---------------------------------------	-----------------------------

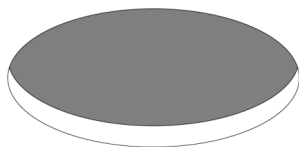
Compatibility

Recommended Dimmers:
Compatible with leading home automation systems and dimmers.
Recommended Dimmers:
Universal, Trailing Edge, Leading Edge.
Dali option available on request.

*For more details please refer to:
<https://brightgreen.com/digital-driver>
All systems are unique, please
call 1300 672 499 for advice on your installation.

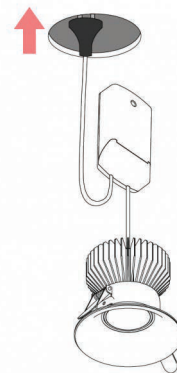
Brightgreen Smart Lighting:
Dimmable LED driver utilises Zigbe 3.0 protocol
Compatible with universal Zigbee Hub products such as Philips Hue
Samsung Smart Things.
Follow pairing procedure found in smart driver datasheet
*For more details please call 1300 672 499 for advice on your installation.

Installation



Step 1

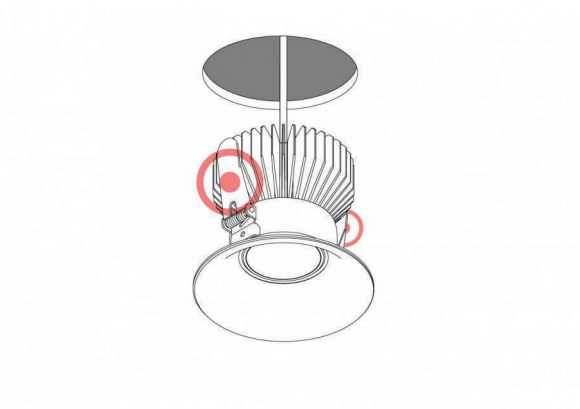
Using a 92mm hole saw, cut a hole in the ceiling at the desired location.



Step 2

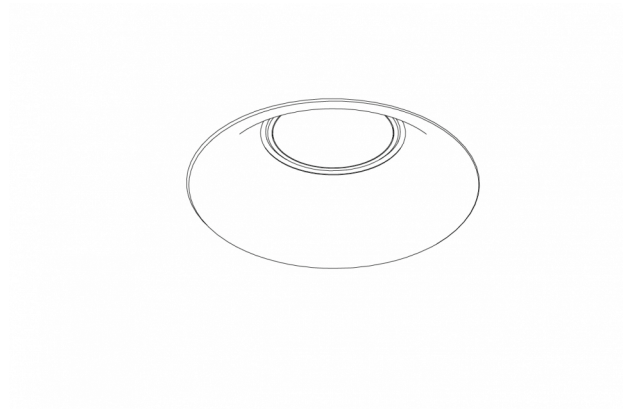
Plug the driver into a mounted general power outlet (GPO) in the ceiling.

Installation



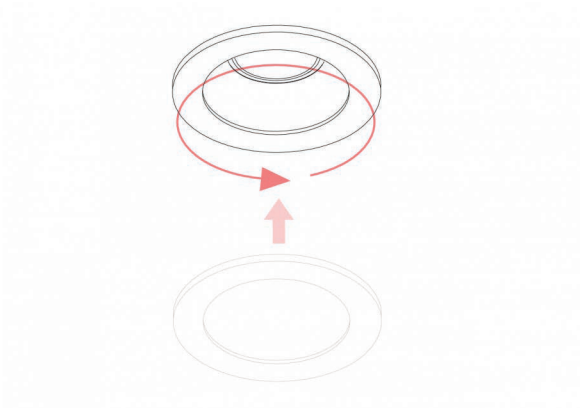
Step 3

Pull back the springs and insert the luminaire into the ceiling cavity. This luminaire can be covered and abutted with insulation.



Step 4

Once the light is installed, orient the luminaire using its universal gimbal to focus the light as required.



Step 5

For installation with a fascia, align the luminaire with the fascia and screw clockwise until firmly in place.