

HYDRO-60 LED Batten



Description

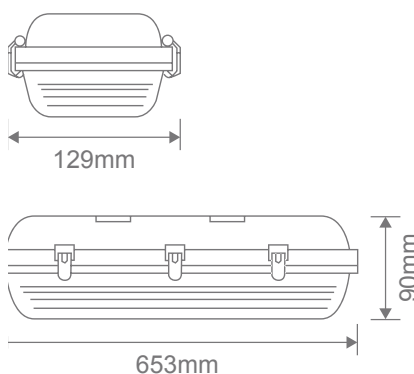
The HYDRO LED Weatherproof Batten series is a direct replacement to traditional T8 and T5 Fluorescent battens. Custom designed to colour match concrete ceilings, and incorporating a "quick fix" solution to allow for ease and speed of installation. Constructed from high-quality and high impact resistant polycarbonate, with a high transparency frosted polycarbonate diffuser. Available in 600mm and 1200mm lengths, as well as Tricolour switchable: choose between Warm White 3000K, Neutral White 4000K, or White 5500K colour temperatures with the flick of a dip switch. Suitable for domestic applications such as underground basements, garages, and outdoor areas. Also commercially for underground car parks. Choose between attached grey plastic clips or supplied Stainless Steel clips depending on your installation preference.

Specification Features

Input Voltage:	240V
Power (W):	10-20W (Switchable)
IP rating (IP):	IP65
Lumens (lm):	Warm White 3000K - 1951lm Neutral White 4000K - 2195lm White 5500K - 2129lm
LED type:	SMD
CCT:	3000K - 4000K - 5500K (Switchable)
CRI:	≥82
Beam angle (°):	120°
Dimmable:	No
Lifespan (hrs):	50,000hrs
Installation:	Surface mounted or suspended



Diagrams / Additional



Item No.	Variant	CCT
HYDRO-60	66012	TRIO