

PBDI.TR - Trailing Edge Push Button Dimmer and Switch

Datasheet



Product codes

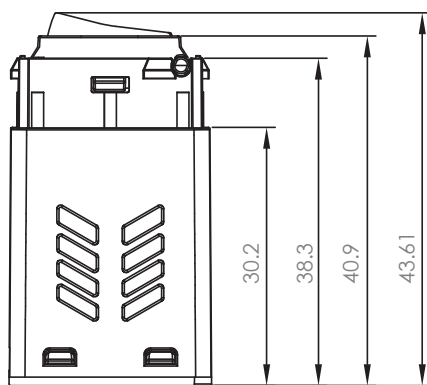
Unit:
PBDI

Dim Type:
TR

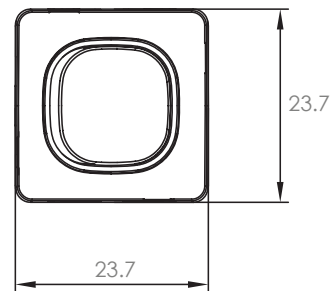
Load:
400W

Dimensions (mm)

Front view



Top view



Electrical

Input Voltage:
220-240 V

Max Lamp Load:
400W @1 gang
Derate for multi-gang
applications

Rated Power:
400W

Mounting centres:
84mm Australian
pattern plate

Frequency:
50 Hz

Min Lamp Load:
5W

Operational

Dimming Technology:
Trailing edge phase control

Control:
Push Button - on/off and dimming

Warranty:
5 years

Operational Temp:
0-40°C

Safety Standard:
AS/NZS3100, AS/NZS3133,
IEC60669-2-1

EMC:
AS/NZ CISPR15,
IEC60669-2-1 (26.1, 26.2),
IEC61000-3-2 (Except when used in
conjunction with Electrical loads)

Suitable for indoor use only

**No user serviceable
parts inside**

Load compatibility



Dimmable LED lighting



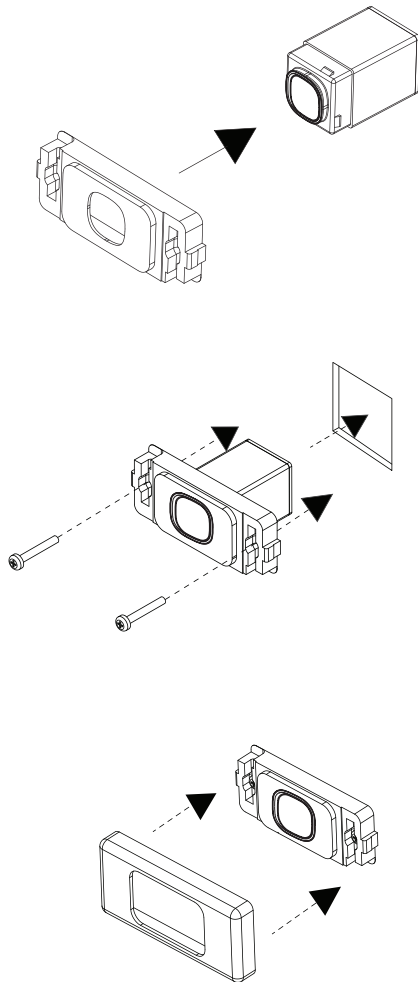
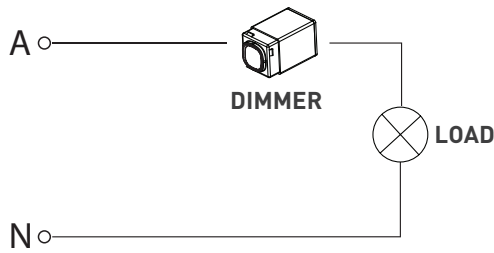
Incandescent lighting
240V halogen lamps



Low voltage halogen lighting
with electronic transformers

Features

- Modular dimming mechanism.
- Two-wire phase control wallplate dimmer.
- Soft-start for lamp and driver life.
- Provide optimized dimming of LED based lamps and drivers.
- Compatibility with incandescent lamps, 240V halogen lamps and low voltage halogen lamps with dimmable electronic transformers.
- Wall or architrave mounting options.
- Wide range of plate styles and color variants available.
- Suitable for new installations or retro-fit applications.
- Inbuilt Over-Current and Over-Temperature protection.
- Full short circuit protection.
- Immune to high frequency (ripple) signal injection on mains supply.
- Complies with Australian and International EMC Standards.



Push Switch Operation:

1. Short press the button to turn ON or OFF the lamp.
2. Long press the button for dimming function.

Step 1

Correctly wire the dimmer to the circuit

- This LED dimmer is designed for one-way or two-way operation.
- Two or more dimmers cannot be connected in parallel to control the same load from two different locations.
- Dimmer mechanism wiring is not polarity sensitive.

Step 2

Snap a suitable switch fitting to the dimmer module.

Step 3

Insert the unit to a wall cut-out or wall box and secure using fastening screws or bolts.

Step 4

Snap the top plate onto the fixed unit.

Setting the minimum Brightness Level:

1. Power on for 10 seconds.
2. Short press for 4x.
3. Long press (hold for more than 3 seconds) twice to reset the minimum level.

Note: Each step must be performed within 15 seconds. Else, it will time out and exit the program without saving.