

# SWITCH PLATE

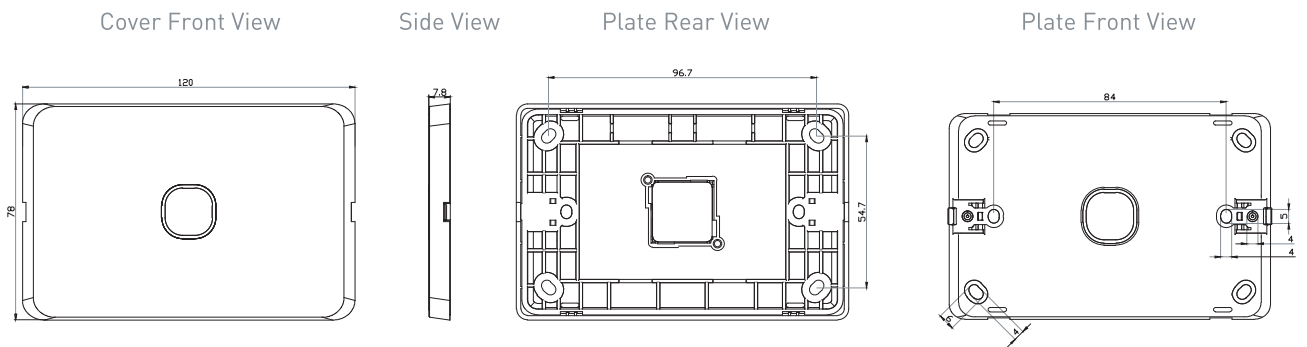
## Datasheet

### Product Codes

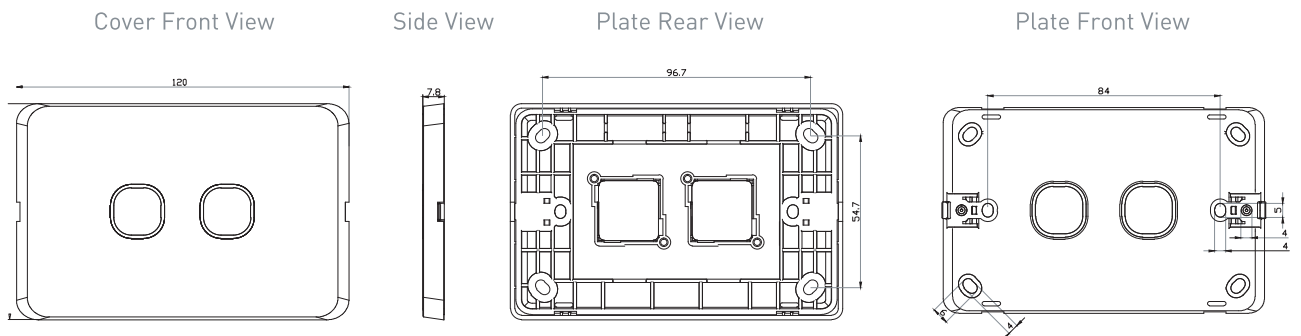
<b>Unit:</b> SWITCH	<b>No. of Gang:</b> 1, 2, 3, 4, 5, 6	<b>Type:</b> Plate	<b>Color:</b> W (WHITE) B (BLACK)	<b>Version:</b> 1.0
------------------------	---	-----------------------	---	------------------------

### Dimensions (mm)

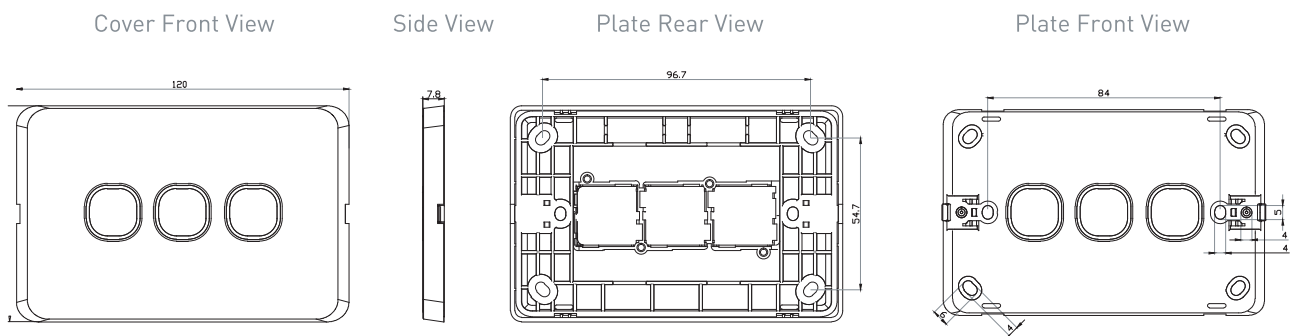
#### 1 Gang Plate



#### 2 Gang Plate

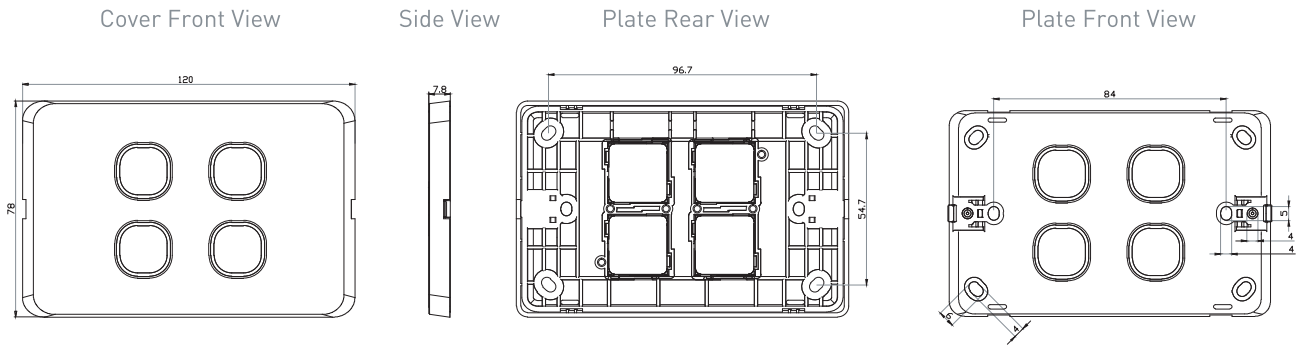


#### 3 Gang Plate

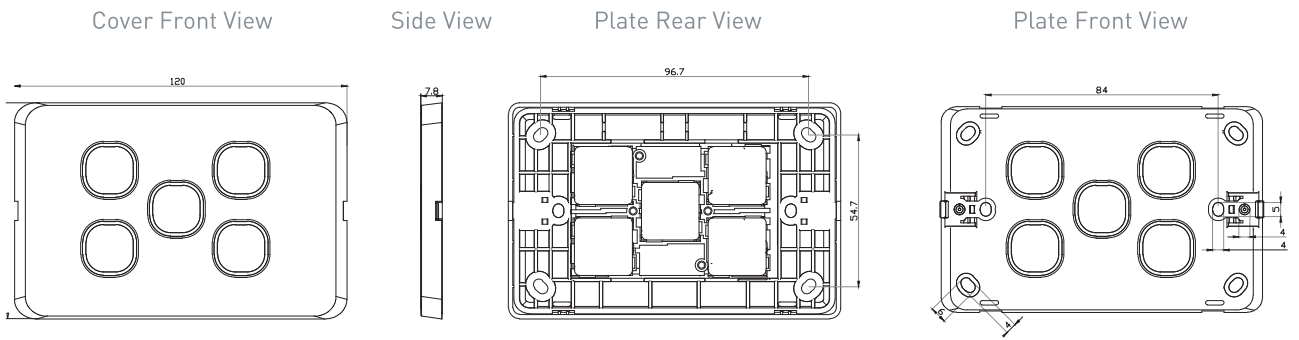


## Dimensions (mm)

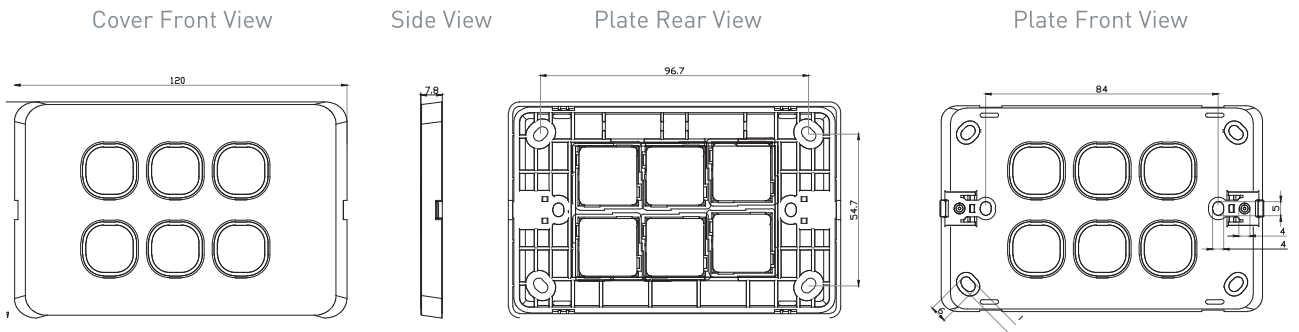
### 4 Gang Plate



### 5 Gang Plate



### 6 Gang Plate



## Operational

#### Compatible with:

- Dimmers
- 10A mechanical switch
- Cat6 Data Mech

#### Material:

Polycarbonate

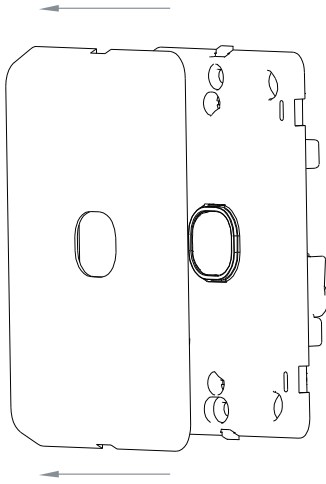
#### Mounting Screw:

M3.5×35mm

## Installation

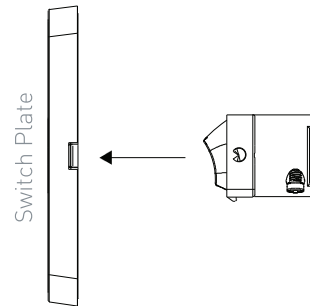
### Step 1

Separate the front cover from the plate.



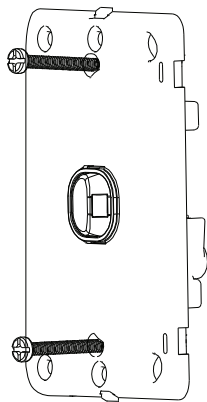
### Step 2

Snap a dimmer or a rocker switch into the rear of the switch plate.



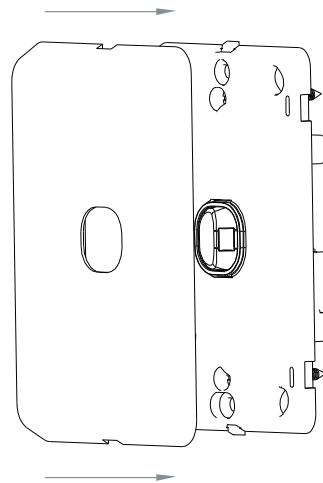
### Step 3

Fix the switch plate using the screws included to screw it to the wall or wall box.



### Step 4

When painting is complete, attach the cover onto the switch plate.



### Step 5

Installation Complete.

